

SECTION **ST**
STEERING SYSTEM

A
B
C
D
E
F
ST
H
I
J
K
L
M
N
O
P

CONTENTS

SYMPTOM DIAGNOSIS	3	WITH ELECTRIC MOTOR	21
NOISE, VIBRATION AND HARSHNESS (NVH) TROUBLESHOOTING	3	WITH ELECTRIC MOTOR : Exploded View	21
NVH Troubleshooting Chart	3	WITH ELECTRIC MOTOR : Removal and Installation	21
PRECAUTION	8	WITH ELECTRIC MOTOR : Inspection	23
PRECAUTIONS	8	LOWER SHAFT	25
Precaution for Supplemental Restraint System (SRS) "AIR BAG" and "SEAT BELT PRE-TENSIONER"	8	WITHOUT 4WAS	25
Service Notice or Precautions for Steering System	8	WITHOUT 4WAS : Exploded View	25
PREPARATION	9	WITHOUT 4WAS : Removal and Installation	25
Special Service Tools	9	WITHOUT 4WAS : Inspection	26
Commercial Service Tools	10	WITH 4WAS	26
PERIODIC MAINTENANCE	12	WITH 4WAS : Exploded View	26
POWER STEERING FLUID	12	WITH 4WAS : Removal and Installation	27
Inspection	12	WITH 4WAS : Inspection	29
STEERING WHEEL	14	WITH 4WAS : Disassembly and Assembly	29
Inspection	14	STEERING GEAR AND LINKAGE	31
REMOVAL AND INSTALLATION	17	2WD	31
STEERING WHEEL	17	2WD : Exploded View	31
Exploded View	17	2WD : Removal and Installation	32
Removal and Installation	17	2WD : Disassembly and Assembly	33
STEERING COLUMN	18	2WD : Inspection	37
WITHOUT ELECTRIC MOTOR	18	AWD	38
WITHOUT ELECTRIC MOTOR : Exploded View....	18	AWD : Exploded View	38
WITHOUT ELECTRIC MOTOR : Removal and Installation	18	AWD : Removal and Installation	39
WITHOUT ELECTRIC MOTOR : Inspection	20	AWD : Disassembly and Assembly	41
		AWD : Inspection	47
		POWER STEERING OIL PUMP	49
		FOR MODELS WITHOUT 4WAS AND MODELS EXCEPT SPORT MODELS	49
		FOR MODELS WITHOUT 4WAS AND MODELS EXCEPT SPORT MODELS : Exploded View	49
		FOR MODELS WITHOUT 4WAS AND MODELS EXCEPT SPORT MODELS : Removal and Installation	50

FOR MODELS WITHOUT 4WAS AND MODELS EXCEPT SPORT MODELS : Disassembly and Assembly	50	AWD : Exploded View	62
FOR MODELS WITHOUT 4WAS AND MODELS EXCEPT SPORT MODELS : Inspection	53	SERVICE DATA AND SPECIFICATIONS (SDS)	63
FOR MODELS WITH 4WAS AND SPORT MODELS	54	SERVICE DATA AND SPECIFICATIONS (SDS)	63
FOR MODELS WITH 4WAS AND SPORT MODELS : Exploded View	54	General Specifications	63
FOR MODELS WITH 4WAS AND SPORT MODELS : Removal and Installation	55	Steering Wheel Axial End Play and Play	63
FOR MODELS WITH 4WAS AND SPORT MODELS : Disassembly and Assembly	56	Steering Wheel Turning Force	63
FOR MODELS WITH 4WAS AND SPORT MODELS : Inspection	58	Steering Angle	63
HYDRAULIC LINE	60	Steering Column Length	63
2WD	60	Steering Column Mounting Dimensions	63
2WD : Exploded View	60	Steering Column Operating Range	63
AWD	61	Lower Shaft Sliding Range	64
		Rack Sliding Force	64
		Rack Stroke	64
		Socket Swing Force and Rotating Torque	64
		Socket Axial End Play	64
		Inner Socket Length	64
		Pinion Rotating Torque	65
		Relief Oil Pressure	65

NOISE, VIBRATION AND HARSHNESS (NVH) TROUBLESHOOTING

< SYMPTOM DIAGNOSIS >

SYMPTOM DIAGNOSIS

NOISE, VIBRATION AND HARSHNESS (NVH) TROUBLESHOOTING

NVH Troubleshooting Chart

INFOID:000000007469339

2WD MODELS

Use the chart below to find the cause of the symptom. If necessary, repair or replace these parts.

A

B

C

D

E

F

ST

H

I

J

K

L

M

N

O

P

NOISE, VIBRATION AND HARSHNESS (NVH) TROUBLESHOOTING

< SYMPTOM DIAGNOSIS >

Possible cause and SUSPECTED PARTS	Reference
Fluid level	ST-12, "Inspection"
Air in hydraulic system	ST-12, "Inspection"
Outer/inner socket ball joint swinging torque	ST-37, "2WD : Inspection"
Outer/inner socket ball joint rotating torque	ST-37, "2WD : Inspection"
Outer/inner socket ball joint end play	ST-37, "2WD : Inspection"
Steering fluid leakage	ST-12, "Inspection"
Steering wheel play	ST-14, "Inspection"
Steering gear rack sliding force	ST-14, "Inspection"
Drive belt looseness	EM-13, "Checking"
Improper steering wheel	ST-14, "Inspection"
Improper installation or looseness of tilt lock lever	—
Mounting looseness	ST-31, "2WD : Exploded View"
Steering column deformation or damage	ST-20, "WITHOUT ELECTRIC MOTOR : Inspection" , ST-23, "WITH ELECTRIC MOTOR : Inspection"
Improper installation or looseness of steering column	ST-18, "WITHOUT ELECTRIC MOTOR : Exploded View" , ST-21, "WITH ELECTRIC MOTOR : Exploded View"
Steering linkage looseness	ST-31, "2WD : Exploded View"
4WAS front actuator	ST-37, "2WD : Inspection"
PROPELLER SHAFT	NVH in DLN section.
DIFFERENTIAL	NVH in DLN section.
AXLE and SUSPENSION	NVH in FAX, RAX, FSU, RSU section.
TIRE	NVH in WT section.
ROAD WHEEL	NVH in WT section.
DRIVE SHAFT	NVH in RAX section.
BRAKE	NVH in BR section.

NOISE, VIBRATION AND HARSHNESS (NVH) TROUBLESHOOTING

< SYMPTOM DIAGNOSIS >

Symptom	Steering	Noise	x	x	x	x	x	x	x	x	x				x	x			x	x	x	x	x	x		
		Shake											x	x	x					x		x	x	x	x	x
		Vibration											x	x	x	x	x			x		x	x		x	
		Shimmy											x		x			x	x			x	x	x		x
		Judder												x	x			x	x			x	x	x		x

x: Applicable

AWD MODELS

Use the chart below to find the cause of the symptom. If necessary, repair or replace these parts.

A
B
C
D
E
F

ST

H
I
J
K
L
M
N
O
P



NOISE, VIBRATION AND HARSHNESS (NVH) TROUBLESHOOTING

< SYMPTOM DIAGNOSIS >

Possible cause and SUSPECTED PARTS	Reference
Fluid level	ST-12, "Inspection"
Air in hydraulic system	ST-12, "Inspection"
Outer/inner socket ball joint swinging torque	ST-47, "AWD : Inspection"
Outer/inner socket ball joint rotating torque	ST-47, "AWD : Inspection"
Outer/inner socket ball joint end play	ST-47, "AWD : Inspection"
Steering fluid leakage	ST-12, "Inspection"
Steering wheel play	ST-14, "Inspection"
Steering gear rack sliding force	ST-47, "AWD : Inspection"
Drive belt looseness	EM-13, "Checking"
Improper steering wheel	ST-14, "Inspection"
Improper installation or looseness of tilt lock lever	—
Mounting looseness	ST-38, "AWD : Exploded View"
Steering column deformation or damage	ST-20, "WITHOUT ELECTRIC MOTOR : Inspection" , ST-23, "WITH ELECTRIC MOTOR : Inspection"
Improper installation or looseness of steering column	ST-18, "WITHOUT ELECTRIC MOTOR : Exploded View" , ST-21, "WITH ELECTRIC MOTOR : Exploded View"
Steering linkage looseness	ST-38, "AWD : Exploded View"
PROPELLER SHAFT	NVH in DLN section.
DIFFERENTIAL	NVH in DLN section.
AXLE and SUSPENSION	NVH in FAX, RAX, FSU, RSU section.
TIRE	NVH in WT section.
ROAD WHEEL	NVH in WT section.
DRIVE SHAFT	NVH in FAX, RAX section.
BRAKE	NVH in BR section.

NOISE, VIBRATION AND HARSHNESS (NVH) TROUBLESHOOTING

< SYMPTOM DIAGNOSIS >

Symptom	Steering	Noise	x	x	x	x	x	x	x	x	x				x	x		x	x	x	x	x	x	x	
		Shake											x	x	x				x		x	x	x	x	x
		Vibration											x	x	x	x	x		x		x	x		x	
		Shimmy											x		x			x			x	x	x		x
		Judder												x	x			x			x	x	x		x

x: Applicable

A
B
C
D
E
F
ST
H
I
J
K
L
M
N
O
P

PRECAUTIONS

< PRECAUTION >

PRECAUTION

PRECAUTIONS

Precaution for Supplemental Restraint System (SRS) "AIR BAG" and "SEAT BELT PRE-TENSIONER"

INFOID:000000007469340

The Supplemental Restraint System such as "AIR BAG" and "SEAT BELT PRE-TENSIONER", used along with a front seat belt, helps to reduce the risk or severity of injury to the driver and front passenger for certain types of collision. This system includes seat belt switch inputs and dual stage front air bag modules. The SRS system uses the seat belt switches to determine the front air bag deployment, and may only deploy one front air bag, depending on the severity of a collision and whether the front occupants are belted or unbelted. Information necessary to service the system safely is included in the "SRS AIR BAG" and "SEAT BELT" of this Service Manual.

WARNING:

Always observe the following items for preventing accidental activation.

- **To avoid rendering the SRS inoperative, which could increase the risk of personal injury or death in the event of a collision that would result in air bag inflation, all maintenance must be performed by an authorized NISSAN/INFINITI dealer.**
- **Improper maintenance, including incorrect removal and installation of the SRS, can lead to personal injury caused by unintentional activation of the system. For removal of Spiral Cable and Air Bag Module, see "SRS AIR BAG".**
- **Never use electrical test equipment on any circuit related to the SRS unless instructed to in this Service Manual. SRS wiring harnesses can be identified by yellow and/or orange harnesses or harness connectors.**

PRECAUTIONS WHEN USING POWER TOOLS (AIR OR ELECTRIC) AND HAMMERS

WARNING:

Always observe the following items for preventing accidental activation.

- **When working near the Air Bag Diagnosis Sensor Unit or other Air Bag System sensors with the ignition ON or engine running, never use air or electric power tools or strike near the sensor(s) with a hammer. Heavy vibration could activate the sensor(s) and deploy the air bag(s), possibly causing serious injury.**
- **When using air or electric power tools or hammers, always switch the ignition OFF, disconnect the battery, and wait at least 3 minutes before performing any service.**

Service Notice or Precautions for Steering System

INFOID:000000007469342

- In case of removing steering gear assembly, make the final tightening with grounded and unloaded vehicle condition, and then check wheel alignment.
- Observe the following precautions when disassembling.
 - Before disassembly, thoroughly clean the outside of the unit.
 - Disassembly should be done in a clean work area. It is important to prevent the internal parts from becoming contaminated by dirt or other foreign matter.
 - For easier and proper assembly, place disassembled parts in order on a parts rack.
 - Use nylon cloth or paper towels to clean the parts; common shop rags can leave lint that might interfere with their operation.
 - Never reuse non-reusable parts.
 - Before assembling, apply the specified grease to the directed parts.

PREPARATION

< PREPARATION >

PREPARATION

PREPARATION

Special Service Tools

INFOID:000000007469343

The actual shapes of Kent-Moore tools may differ from those of special service tools illustrated here.

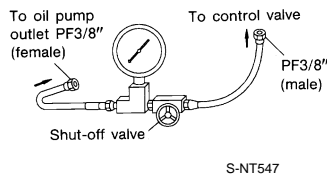
Tool number (Kent-Moore No.) Tool name	Description
ST27180001 (J-25726-A) Steering wheel puller	Removing steering wheel
ST3127S000 (J-25765-A) Preload gauge	<ul style="list-style-type: none"> Measuring steering column rotating torque Measuring pinion rotating torque Measuring ball joint rotating torque
KV48104400 (—) Teflon ring correcting tool a: 50 mm (1.97 in) dia. b: 36 mm (1.42 in) dia. c: 100 mm (3.94 in)	Installing rack Teflon ring
KV48103400 (—) Preload adapter	Measuring pinion rotating torque
ST35300000 (—) Drift a: 45.1 mm (1.776 in) dia. b: 59.0 mm (2.323 in) dia.	Installing oil pump oil seal (For models without 4WAS and models except sport models)

A
B
C
D
E
F
ST
H
I
J
K
L
M
N
O
P

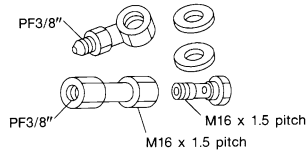
PREPARATION

< PREPARATION >

Tool number (Kent-Moore No.) Tool name	Description
KV48103500 (J-26357) Oil pressure gauge	Measuring oil pump relief pressure
KV48102500 (J-33914) Oil pressure gauge adapter	Measuring oil pump relief pressure



S-NT547

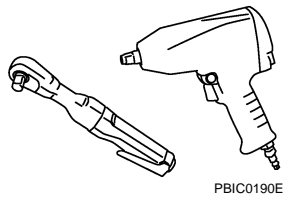


S-NT542

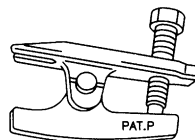
Commercial Service Tools

INFOID:000000007469344

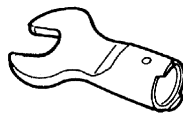
Tool name	Description
Power tool	Loosening bolts and nuts
Ball joint remover	Removing steering outer socket
Open head	Tightening end cover assembly



PBIC0190E



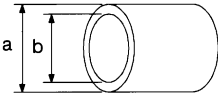
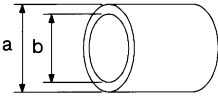
S-NT146



ZZA0822D

PREPARATION

< PREPARATION >

Tool name	Description
<p>Drift a: 15 mm (0.59 in) dia. b: 10 mm (0.39 in) dia.</p>  <p style="text-align: center;">S-NT474</p>	<p>Installing rotor snap ring</p>
<p>Drift a: 36 mm (1.42 in) dia. b: 20 mm (0.79 in) dia.</p>  <p style="text-align: center;">S-NT474</p>	<p>Installing oil pump oil seal (With 4WAS and sport models)</p>

A
B
C
D
E
F

ST

H
I
J
K
L
M
N
O
P

POWER STEERING FLUID

< PERIODIC MAINTENANCE >

PERIODIC MAINTENANCE

POWER STEERING FLUID

Inspection

INFOID:000000007469345

FLUID LEVEL

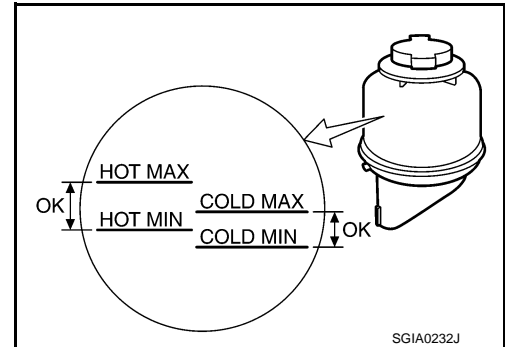
1. Check fluid level with engine stopped.
2. Ensure that fluid level is between MIN and MAX.
3. Fluid levels at HOT and COLD are different. Do not confuse them.

HOT : Fluid temperature 50 – 80°C (122 – 176°F)

COLD : Fluid temperature 0 – 30°C (32 – 86°F)

Recommended fluid : Refer to [MA-15, "FOR NORTH AMERICA : Fluids and Lubricants"](#) (For North America), [MA-16, "FOR MEXICO : Fluids and Lubricants"](#) (For Mexico).

Fluid capacity : Refer to [ST-63, "General Specifications"](#).



CAUTION:

- The fluid level should not exceed the MAX line. Excessive fluid causes fluid leakage from the cap.
- Never reuse drained power steering fluid.

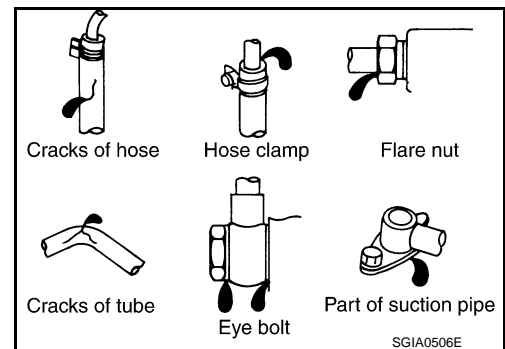
FLUID LEAKAGE

- Check hydraulic connections for fluid leakage, cracks, damage, looseness, or wear.
1. Run engine until the fluid temperature reaches 50 to 80°C (122 to 176°F) in reservoir tank, and keep engine speed idle.
 2. Turn steering wheel several times from full left stop to full right stop.
 3. Hold steering wheel at each lock position for five seconds and carefully, check for fluid leakage.

CAUTION:

Never hold the steering wheel in a locked position for more than 10 seconds. (There is the possibility that power steering oil pump assembly may be damaged.)

4. If fluid leakage at connections is noticed, then loosen flare nut and then retighten. Do not overtighten connector as this can damage O-ring, washer and connector.
5. If fluid leakage from oil pump is noticed, check oil pump. Refer to [ST-53, "FOR MODELS WITHOUT 4WAS AND MODELS EXCEPT SPORT MODELS : Inspection"](#) (For models without 4WAS and models except sport models), [ST-58, "FOR MODELS WITH 4WAS AND SPORT MODELS : Inspection"](#) (For models with 4WAS and sport models).
6. Check steering gear boots for accumulation of fluid indicating from steering gear.



AIR BLEEDING HYDRAULIC SYSTEM

If air bleeding is not complete, the following symptoms can be observed.

- Bubbles are created in reservoir tank.
- Clicking noise can be heard from oil pump.
- Excessive buzzing in the oil pump.

NOTE:

POWER STEERING FLUID

< PERIODIC MAINTENANCE >

Fluid noise may occur in the steering gear or oil pump. This does not affect performance or durability of the system.

1. Turn steering wheel several times from full left stop to full right stop with engine off.

CAUTION:

Fill reservoir tank with a sufficient amount of fluid so that fluid level is not below the MIN line while turning steering wheel.

2. Start engine and hold steering wheel at each lock position for 3 seconds at idle to check for fluid leakage.
3. Repeat step 2 above several times at approximately 3 seconds intervals.

CAUTION:

Never hold the steering wheel in a locked position for more than 10 seconds. (There is the possibility that oil pump may be damaged.)

4. Check fluid for bubbles and white contamination.
5. Stop engine if bubbles and white contamination do not drain out. Perform step 2 and 3 above after waiting until bubbles and white contamination drain out.
6. Stop the engine, and then check fluid level.

A

B

C

D

E

F

ST

H

I

J

K

L

M

N

O

P

STEERING WHEEL

< PERIODIC MAINTENANCE >

STEERING WHEEL

Inspection

INFOID:000000007469346

STEERING WHEEL AXIAL END PLAY

1. Check installation conditions of steering gear assembly, front suspension assembly, axle and steering column assembly.
2. Check if movement exists when steering wheel is moved up and down, to the left and right and to the axial direction.

Standard

Steering wheel axial end play : Refer to [ST-63, "Steering Wheel Axial End Play and Play"](#).

3. Check the following items when steering wheel axial end play is out of the standard.
 - Check the steering column assembly mounting condition. Refer to [ST-18, "WITHOUT ELECTRIC MOTOR : Exploded View"](#) (Without electric motor), [ST-21, "WITH ELECTRIC MOTOR : Exploded View"](#) (With electric motor).
 - Check steering gear assembly mounting condition for looseness. Refer to [ST-31, "2WD : Exploded View"](#) (2WD), [ST-38, "AWD : Exploded View"](#) (AWD).

STEERING WHEEL PLAY

1. Turn steering wheel so that front wheels come to the straight-ahead position.
2. Start engine and lightly turn steering wheel to the left and right until front wheels start to move.
3. Measure steering wheel movement on the outer circumference.

Standard

Steering wheel play : Refer to [ST-63, "Steering Wheel Axial End Play and Play"](#).

4. Check the following items when steering wheel play is out of the standard.
 - Check backlash for each joint of steering column assembly.
 - Check installation condition of steering gear assembly.

NEUTRAL POSITION STEERING WHEEL

1. Check that steering gear assembly, steering column assembly and steering wheel are installed in the correct position.
2. Perform neutral position inspection after wheel alignment. Refer to [FSU-7, "Inspection"](#) (2WD), [FSU-29, "Inspection"](#) (AWD).
3. Set vehicle to the straight-ahead position and confirm steering wheel is in the neutral position.
4. Loosen outer socket lock nut and turn inner socket to left and right equally to make fine adjustments if steering wheel is not in the neutral position.

STEERING WHEEL TURNING FORCE

1. Park vehicle on a level and dry surface, set parking brake.
2. Tires need to be inflated normal pressure. Refer to [WT-48, "Tire Air Pressure"](#).
3. Start engine.
4. Bring power steering fluid up to adequate operating temperature.

Fluid temperature : 50 – 80°C (122 – 176°F)

STEERING WHEEL

< PERIODIC MAINTENANCE >

5. Check steering wheel turning force when steering wheel has been turned 540° from neutral position.

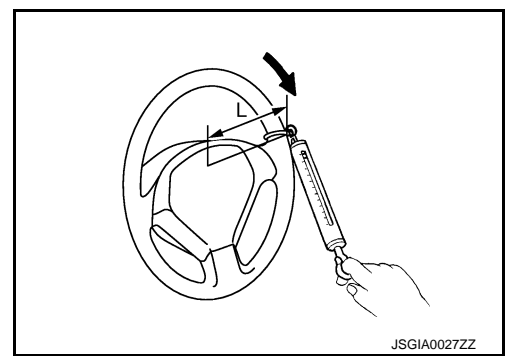
Standard

Steering wheel turning force : Refer to [ST-63, "Steering Wheel Turning Force"](#).

NOTE:

Multiply the distance (L) from the hook of spring balance to the center of steering wheel by the measurement value with a spring balance.

6. If steering wheel turning force is out of the specification, check rack sliding force and relief hydraulic pressure of oil pump. Regarding relief hydraulic pressure of oil pump, refer to [ST-53, "FOR MODELS WITHOUT 4WAS AND MODELS EXCEPT SPORT MODELS : Inspection"](#) (For models without 4WAS and models except sport models), [ST-58, "FOR MODELS WITH 4WAS AND SPORT MODELS : Inspection"](#) (For models with 4WAS and sport models).



RACK SLIDING FORCE

1. Disconnect lower joint and steering knuckle from steering gear assembly. Refer to [ST-31, "2WD : Exploded View"](#) (2WD), [ST-38, "AWD : Exploded View"](#) (AWD).
2. Start and run engine at idle to make sure steering fluid has reached normal operating temperature.

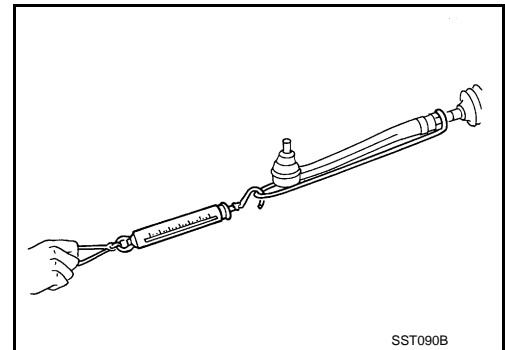
Fluid temperature : 50 – 80°C (122 – 176°F)

3. While pulling outer socket slowly in ±11.5 mm (±0.453 in) range from neutral position, make sure rack sliding force is within specification.

Standard

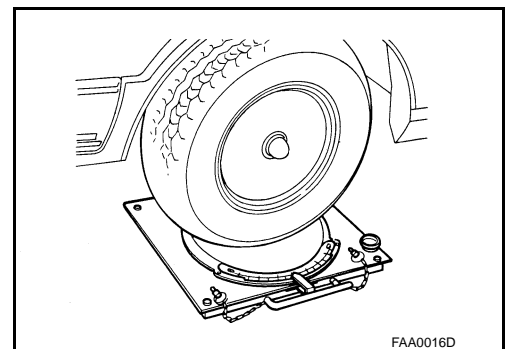
Rack sliding force : Refer to [ST-64, "Rack Sliding Force"](#).

4. If rack sliding force is not within specification, overhaul steering gear assembly.



FRONT WHEEL TURNING ANGLE

1. Check front wheel turning angle after toe-in inspection. Refer to [FSU-7, "Inspection"](#) (2WD), [FSU-29, "Inspection"](#) (AWD).
2. Place front wheels on turning radius gauges and rear wheels on stands, so that vehicle can be level.
3. Check the maximum inner and outer wheel turning angles for LH and RH road wheels.



STEERING WHEEL

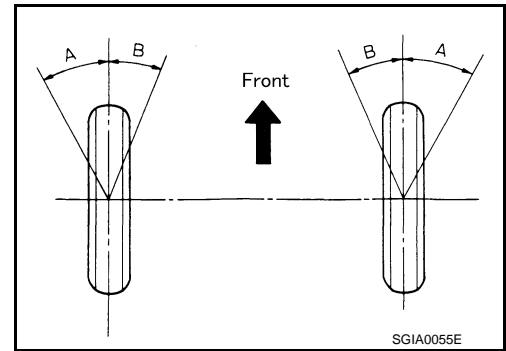
< PERIODIC MAINTENANCE >

4. With the engine at idle, turn steering wheel from full left stop to full right stop and measure the turning angles.

Standard

Inner wheel (Angle: A) : Refer to [ST-63, "Steering Angle"](#).

Outer wheel (Angle: B) : Refer to [ST-63, "Steering Angle"](#).



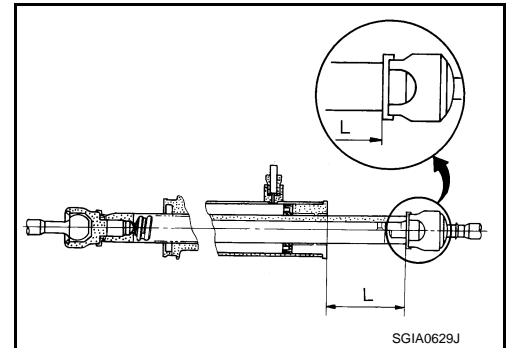
5. Check the following items when turning angle is out of the standard.

- a. Check the neutral position of the rack stroke (L).

Standard

Rack stroke neutral position (L) : Refer to [ST-64, "Rack Stroke"](#).

- b. Disassemble steering gear assembly to check the cause that rack stroke is outside of the standard.
- Steering angles are not adjustable. Check steering gear assembly, steering column assembly and front suspension components for wear or damage if any of the turning angles are different from the specified value. Replace any of them, if any non-standard condition exists.



STEERING WHEEL

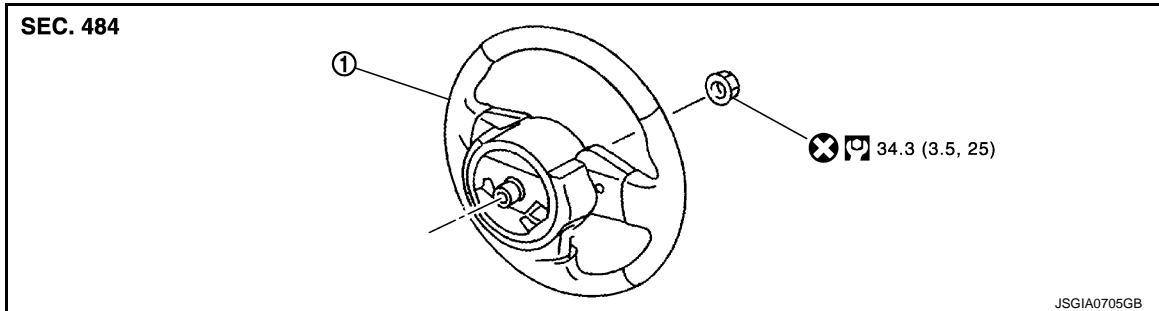
< REMOVAL AND INSTALLATION >

REMOVAL AND INSTALLATION

STEERING WHEEL

Exploded View

INFOID:000000007469347



1. Steering wheel

Refer to [GI-4, "Components"](#) for symbols in the figure.

Removal and Installation

INFOID:000000007469348

REMOVAL

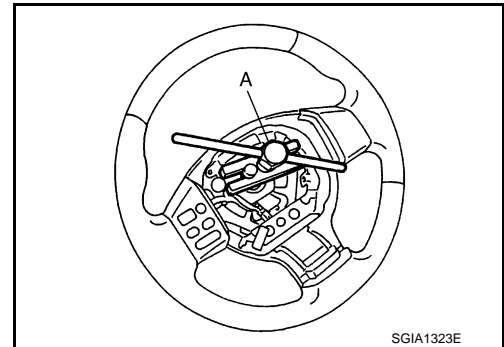
NOTE:

When reconnecting spiral cable, fix cable with a tape so that fixing case and rotating part keep aligned. This will omit neutral position alignment procedure during spiral cable installation.

1. Set vehicle to the straight-ahead position.
2. Remove driver air bag module. Refer to [SR-11, "Exploded View"](#).
3. Remove steering wheel lock nut after steering is locked.
4. Remove steering wheel with the steering wheel puller (A) [SST: ST27180001 (J-25726-A)].

NOTE:

Put paint marks on the steering wheel and the column shaft head for supporting accurate positioning during the installation procedure.



INSTALLATION

Note the following, and install in the reverse order of removal.

- Check the spiral cable neutral position after replacing or rotating spiral cable. Refer to [SR-14, "Removal and Installation"](#).

CAUTION:

Never twist spiral cable freely on excessively after it becomes tight (doing so may cause the cable to tear off).

- Never reuse steering wheel lock nut.

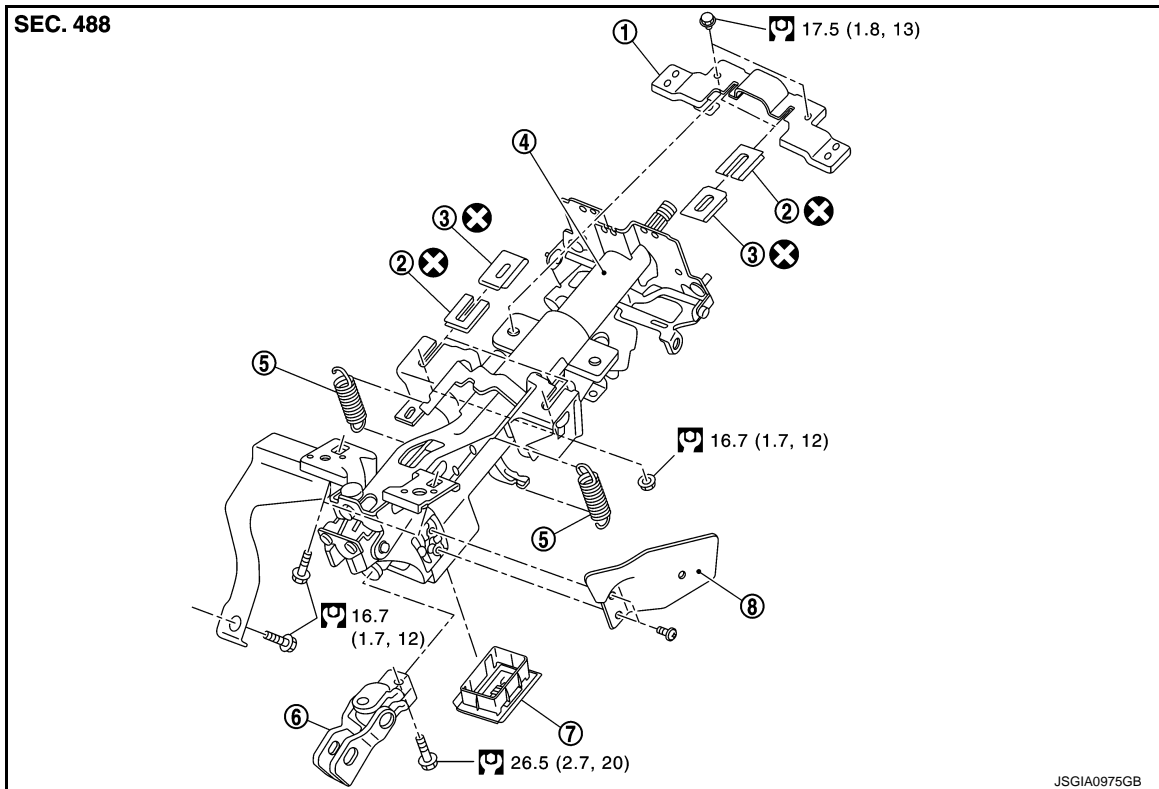
STEERING COLUMN

< REMOVAL AND INSTALLATION >

STEERING COLUMN WITHOUT ELECTRIC MOTOR

WITHOUT ELECTRIC MOTOR : Exploded View

INFOID:000000007469349



- | | | |
|-----------------------------|------------|----------------|
| 1. Upper stay | 2. Clip | 3. Clip |
| 4. Steering column assembly | 5. Spring | 6. Upper joint |
| 7. Dust cover | 8. Bracket | |

Refer to [GI-4, "Components"](#) for symbols in the figure.

WITHOUT ELECTRIC MOTOR : Removal and Installation

INFOID:000000007469350

REMOVAL

1. Set vehicle to the straight-ahead position.
2. Place the tilt to the highest level. Place the telescopic to the longest level.
3. Remove driver air bag module. Refer to [SR-11, "Exploded View"](#).
4. Remove steering wheel. Refer to [ST-17, "Exploded View"](#).
5. Remove steering column cover. Refer to [IP-12, "A/T MODELS : Exploded View"](#) (A/T models) or [IP-23, "M/T MODELS : Exploded View"](#) (M/T models).
6. Remove spiral cable. Refer to [SR-14, "Exploded View"](#).
7. Remove combination switch. Refer to [BCS-79, "Exploded View"](#).
8. Remove instrument driver lower panel. Refer to [IP-12, "A/T MODELS : Exploded View"](#) (A/T models) or [IP-23, "M/T MODELS : Exploded View"](#) (M/T models).

STEERING COLUMN

< REMOVAL AND INSTALLATION >

9. Remove knee protector (1).

← : Bolt

10. Remove combination meter. Refer to [MWI-111, "Exploded View"](#).
11. Disconnect each switch harness connectors installed to steering column assembly.
12. Remove the upper joint mounting bolt and nut (lower shaft side), and separate the joint from lower shaft.

CAUTION:

When removing upper joint, never insert a tool, such as a screwdriver, into the yoke groove to pull out the upper joint. In case of the violation of the above, replace upper joint with a new one.

13. Remove steering column assembly.

CAUTION:

- Never give axial impact to steering column assembly during removal.
- Never move steering gear assembly when removing steering column assembly.

14. Remove dust cover from steering column assembly.

CAUTION:

Remove dust cover only when necessary.

INSTALLATION

Note the following, and install in the reverse order of removal.

- To install dust cover (1), face the arrow of dust cover toward the hole (A) of steering column assembly (2) as shown in the figure.

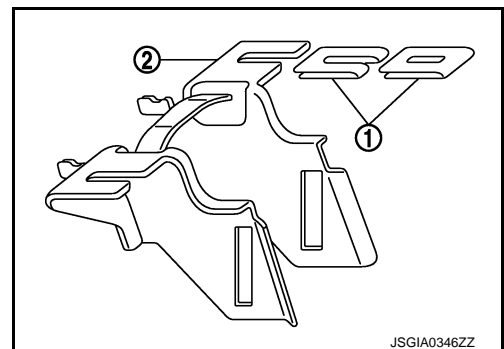
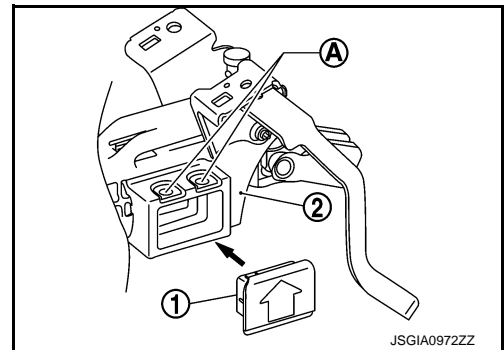
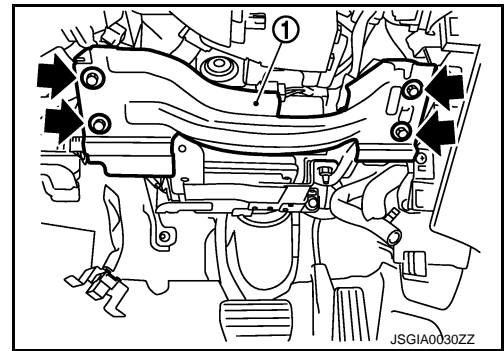
CAUTION:

Check that there is no clearance between dust cover and steering column assembly.

- Make sure there is no space between clip (1) and steering column assembly (2).

CAUTION:

Never reuse the clip.



A
B
C
D
E
F
ST
H
I
J
K
L
M
N
O
P

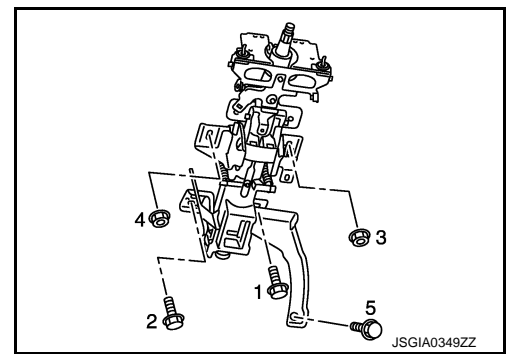
STEERING COLUMN

< REMOVAL AND INSTALLATION >

- Tighten the mounting bolts and nuts in the order shown in the figure when installing the steering column assembly.
- Be careful of the following points when installing the steering column assembly.

CAUTION:

- **Never give axial impact to steering column assembly during installation.**
- **Never move steering gear assembly.**
- **Never reuse the joint mounting nut (lower shaft side).**
- Adjust neutral position of steering angle sensor. Refer to [BRC-9. "ADJUSTMENT OF STEERING ANGLE SENSOR NEUTRAL POSITION : Special Repair Requirement"](#).



WITHOUT ELECTRIC MOTOR : Inspection

INFOID:000000007469351

INSPECTION AFTER REMOVAL

- Check each part of steering column assembly for damage or other malfunctions. Replace if there are.
- Measure steering column assembly rotating torque using a preload gauge [SST: ST3127S000 (J-25765-A)]. Replace steering column assembly if outside the standard.

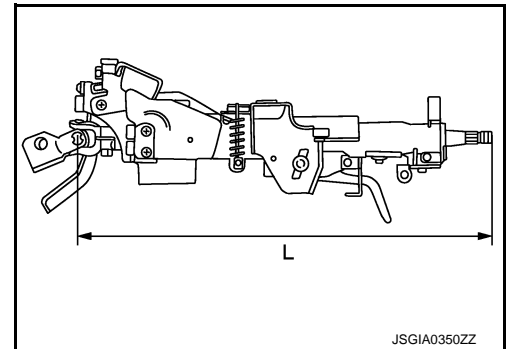
Standard

Rotating torque : Refer to [ST-63. "Steering Column Length"](#).

- Measure the length (L) as shown, if vehicle has been involved in a minor collision. Replace steering column assembly if out side the standard.

Standard

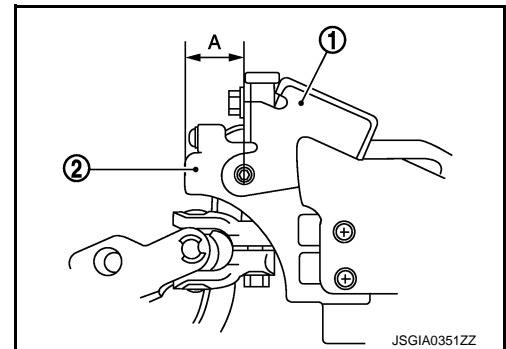
Steering column length (L) : Refer to [ST-63. "Steering Column Length"](#).



- Install the bracket (1) and steering column housing (2) so that the clearance (A) is within the specified range as described below. Replace steering column assembly if out side the standard.

Standard

Mounting dimensions (A) : Refer to [ST-63. "Steering Column Mounting Dimensions"](#).



INSPECTION AFTER INSTALLATION

- Check each part of steering column assembly for damage or other malfunctions. Replace if there are.
- Check the steering wheel play, neutral position steering wheel, steering wheel turning force, and front wheel turning angle. Refer to [ST-14. "Inspection"](#).

STEERING COLUMN

< REMOVAL AND INSTALLATION >

- Check tilt and telescopic mechanism operating range tilt operating range (T), telescopic operating range (L) as shown in the figure.

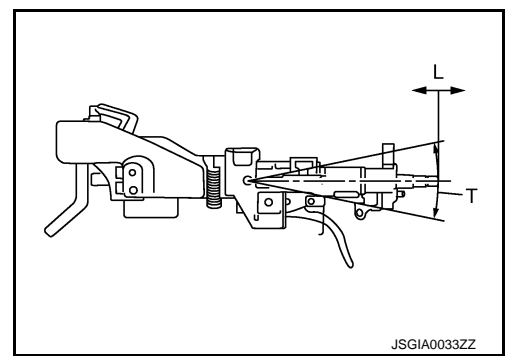
Standard

Tilt operating range (T)

Telescopic operating range (L)

**: Refer to [ST-63](#),
"Steering Column Operating Range".**

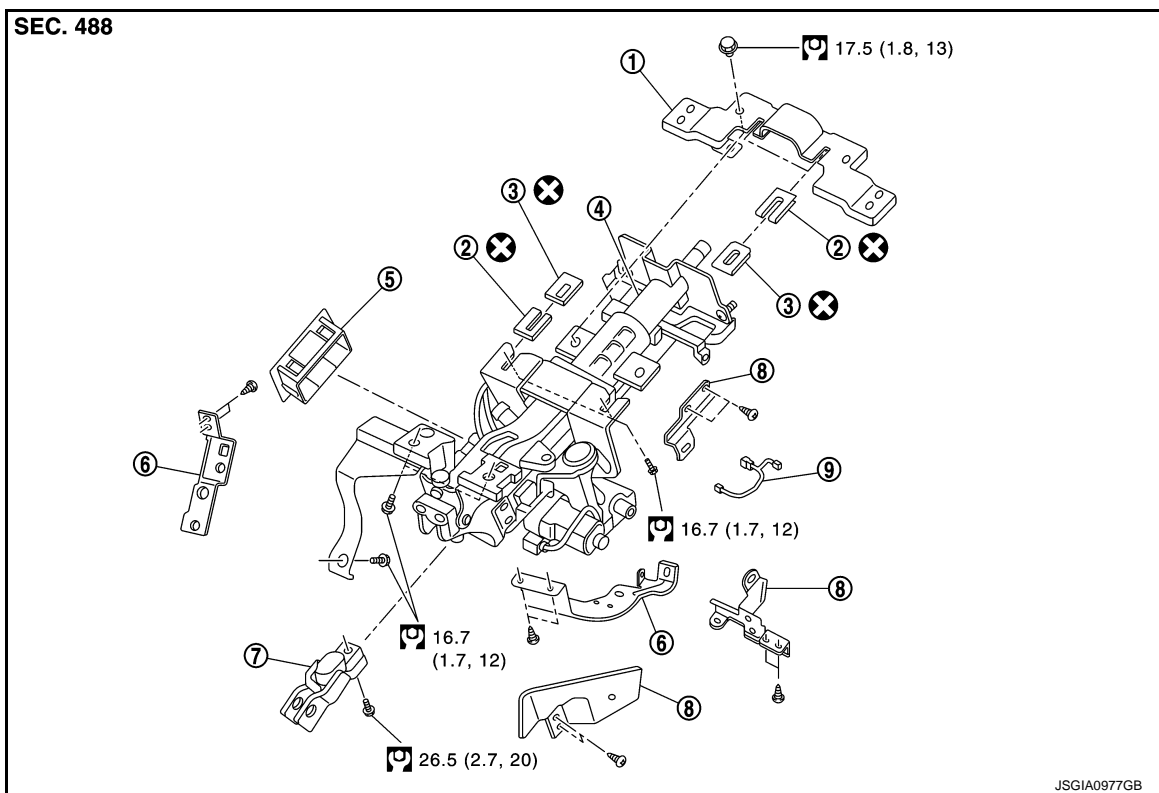
**: Refer to [ST-63](#),
"Steering Column Operating Range".**



WITH ELECTRIC MOTOR

WITH ELECTRIC MOTOR : Exploded View

INFOID:000000007469352



- | | | |
|-----------------------------|---------------|--------------------------|
| 1. Upper stay | 2. Clip | 3. Clip |
| 4. Steering column assembly | 5. Dust cover | 6. Bracket (4WAS models) |
| 7. Upper joint | 8. Bracket | 9. Harness |

Refer to [GI-4, "Components"](#) for symbols in the figure.

WITH ELECTRIC MOTOR : Removal and Installation

INFOID:000000007469353

REMOVAL

1. Set the vehicle to the straight-ahead position.
2. Perform 4WAS front actuator neutral position adjustment. Refer to [STC-25, "4WAS FRONT ACTUATOR NEUTRAL POSITION ADJUSTMENT : Description"](#). (4WAS models)
3. Remove the instrument lower panel. Place the tilt to the highest level. Refer to [IP-12, "A/T MODELS : Exploded View"](#) (A/T models) or [IP-23, "M/T MODELS : Exploded View"](#) (M/T models).
4. Remove the steering column lower cover and steering column upper cover. Place the telescopic to the longest level. Refer to [IP-12, "A/T MODELS : Exploded View"](#) (A/T models) or [IP-23, "M/T MODELS : Exploded View"](#) (M/T models).

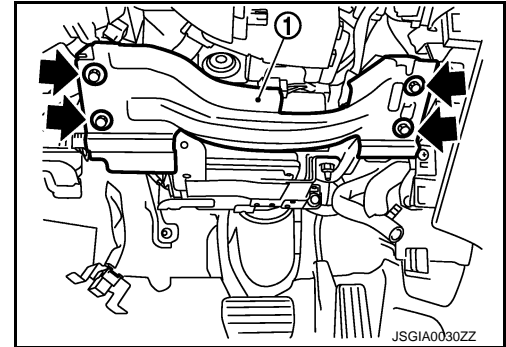
STEERING COLUMN

< REMOVAL AND INSTALLATION >

5. Remove driver air bag module. Refer to [SR-11, "Exploded View"](#).
6. Remove steering wheel. Refer to [ST-17, "Exploded View"](#).
7. Remove spiral cable. Refer to [SR-14, "Exploded View"](#).
8. Remove combination switch. Refer to [BCS-79, "Exploded View"](#).
9. Remove knee protector (1).

← : Bolt

10. Remove 4WAS front control unit. Refer to [STC-171, "Exploded View"](#). (4WAS models)
11. Remove combination meter. Refer to [MWI-111, "Exploded View"](#).
12. Remove upper stay.
13. Disconnect each switch harness connectors installed to steering column assembly.
14. Remove the upper joint mounting bolt and nut (lower shaft side), and separate the joint from lower shaft.



CAUTION:

When removing upper joint, never insert a tool, such as a screwdriver, into the yoke groove to pull out the upper joint. In case of the violation of the above, replace upper joint with a new one.

15. Remove steering column assembly.

CAUTION:

- Never give axial impact to steering column assembly during removal.
- Never move steering gear assembly when removing steering column assembly.
- Never rotate the lower shaft.

16. Remove dust cover from steering column assembly.

CAUTION:

Remove dust cover only when necessary.

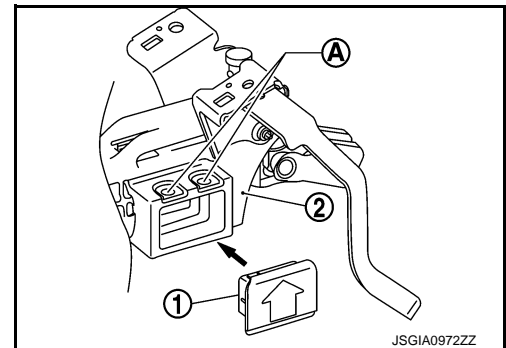
INSTALLATION

Note the following, and install in the reverse order of removal.

- To install dust cover (1), face the arrow of dust cover toward the hole (A) of steering column assembly (2) as shown in the figure.

CAUTION:

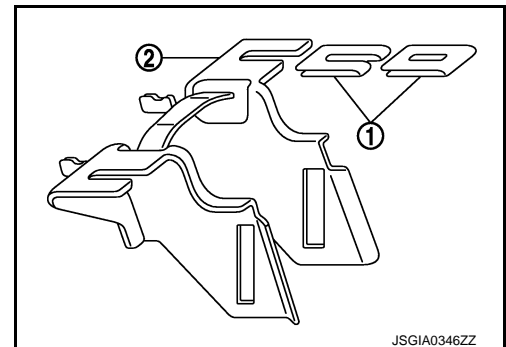
Check that there is no clearance between dust cover and steering column assembly.



- Make sure there is no space between clip (1) and steering column assembly (2).

CAUTION:

Never reuse the clip.



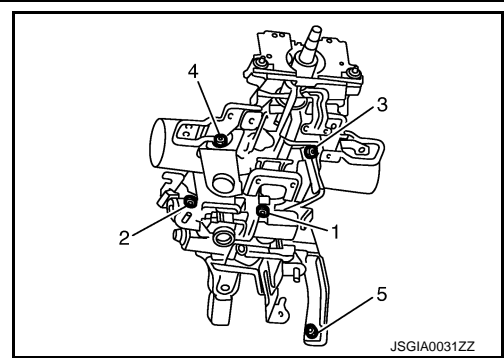
STEERING COLUMN

< REMOVAL AND INSTALLATION >

- Tighten the mounting bolts in the order shown in the figure when installing the steering column assembly.
- Be careful of the following points when installing the steering column assembly.

CAUTION:

- **Never give axial impact to steering column assembly during installation.**
- **Never move steering gear assembly.**
- **Never reuse the joint mounting nut (lower shaft side).**
- Adjust neutral position of steering angle sensor. Refer to [BRC-9, "ADJUSTMENT OF STEERING ANGLE SENSOR NEUTRAL POSITION : Special Repair Requirement"](#).
- Perform 4WAS front actuator neutral position adjustment. Refer to [STC-25, "4WAS FRONT ACTUATOR NEUTRAL POSITION ADJUSTMENT : Description"](#). (4WAS models)



WITH ELECTRIC MOTOR : Inspection

INFOID:000000007469354

INSPECTION AFTER REMOVAL

- Check each part of steering column assembly for damage or other malfunctions. Replace if necessary.
- Measure steering column assembly rotating torque using a preload gauge [SST: ST3127S000 (J-25765-A)]. Replace steering column assembly if outside the standard.

Standard

Rotating torque

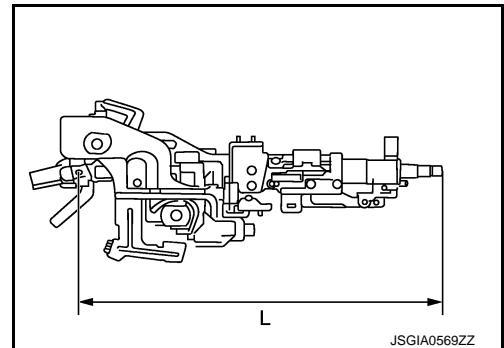
: Refer to [ST-63, "Steering Column Operating Range"](#).

- Measure the length (L) as shown, if vehicle has been involved in a minor collision. Replace steering column assembly if out side the standard.

Standard

Steering column length (L)

: Refer to [ST-63, "Steering Column Length"](#).

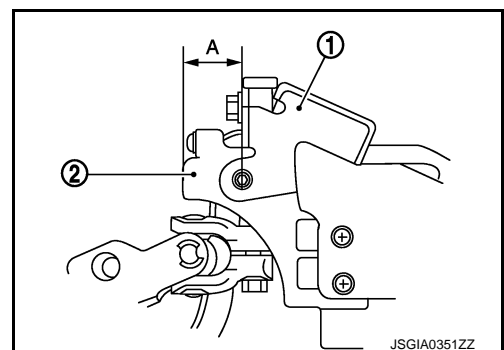


- Install the bracket (1) and steering column housing (2) so that the clearance (A) is within the specified range as described below. Replace steering column assembly if out side the standard.

Standard

Mounting dimensions (A)

: Refer to [ST-63, "Steering Column Mounting Dimensions"](#).



INSPECTION AFTER INSTALLATION

- Check each part of steering column assembly for damage or other malfunctions. Replace if necessary.
- Check the steering wheel play, neutral position steering wheel, steering wheel turning force, and front wheel turning angle. Refer to [ST-14, "Inspection"](#).

STEERING COLUMN

< REMOVAL AND INSTALLATION >

- Check tilt and telescopic mechanism operating range tilt operating range (T), telescopic operating range (L) as shown in the figure.

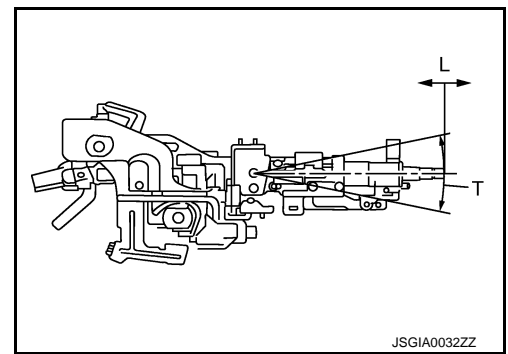
Standard

Tilt operating range (T)

: Refer to [ST-63. "Steering Column Operating Range"](#).

Telescopic operating range (L)

: Refer to [ST-63. "Steering Column Operating Range"](#).



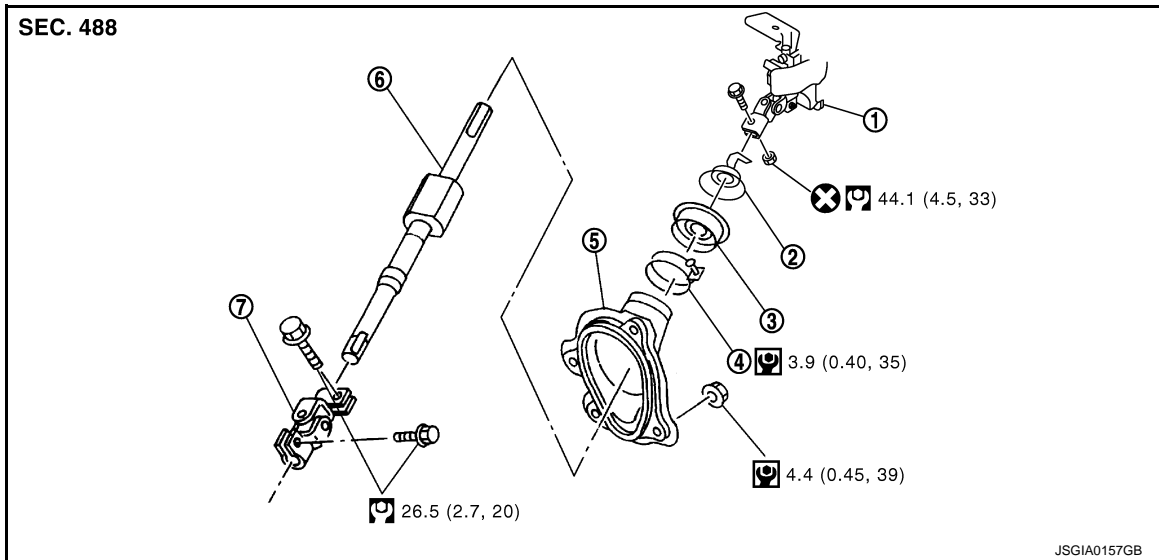
LOWER SHAFT

< REMOVAL AND INSTALLATION >

LOWER SHAFT WITHOUT 4WAS

WITHOUT 4WAS : Exploded View

INFOID:000000007469355



- | | | |
|-----------------------------|---------------|--------------------|
| 1. Steering column assembly | 2. Collar | 3. Hole cover seal |
| 4. Clamp | 5. Hole cover | 6. Lower shaft |
| 7. Lower joint | | |

Refer to [GI-4, "Components"](#) for symbols in the figure.

WITHOUT 4WAS : Removal and Installation

INFOID:000000007469356

REMOVAL

1. Set vehicle to the straight-ahead position.
2. Fix the steering wheel.
3. Remove lower joint fixing bolt (steering gear side).
4. Separate the lower joint from the steering gear assembly by sliding the slide shaft (A: sliding range).

CAUTION:

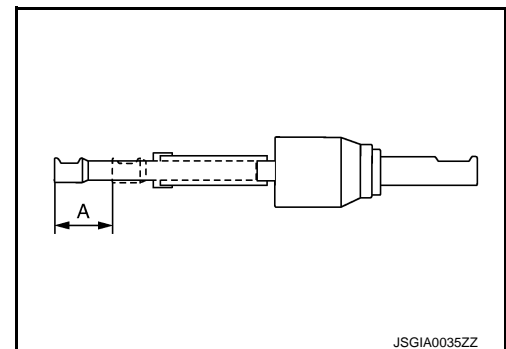
- Spiral cable may be cut if steering wheel turns while separating steering column assembly and steering gear assembly. Be sure to secure steering wheel using string to avoid turning.
- When removing lower joint, never insert a tool, such as a screwdriver, into the yoke groove to pull out the lower joint. In case of the violation of the above, replace lower joint with a new one.

5. Remove the accelerator pedal bracket and lever assembly. Refer to [ACC-3, "Exploded View"](#).
6. Remove the side brake wire clamp stay. (A/T models)
7. Remove the hole cover mounting nuts.
8. Remove the upper joint fixing bolt and nut (lower shaft side).

CAUTION:

When removing upper joint, never insert a tool, such as a screwdriver, into the yoke groove to pull out the upper joint. In case of the violation of the above, replace upper joint with a new one.

9. Remove the lower shaft and hole cover.



LOWER SHAFT

< REMOVAL AND INSTALLATION >

10. Remove collar, hole cover seal, clamp and hole cover.

INSTALLATION

Note the following, and install in the reverse order of removal.

CAUTION:

Spiral cable may be cut if steering wheel turns while separating steering column assembly and steering gear assembly. Be sure to secure steering wheel using string to avoid turning.

- Tighten the clamp to the specified torque and check the clamp length (A).

Clamp length "A" : 14.0 – 18.0 mm (0.551 – 0.709 in)

- When installing lower joint to steering gear assembly, follow the procedure listed below.
- Set rack of steering gear in the neutral position.

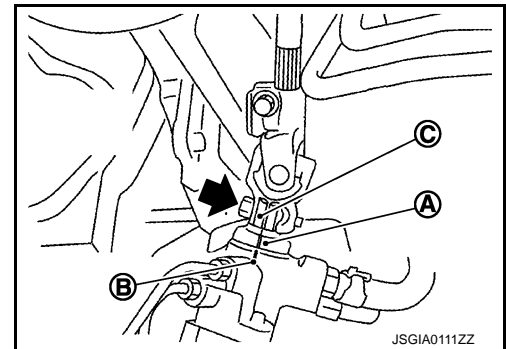
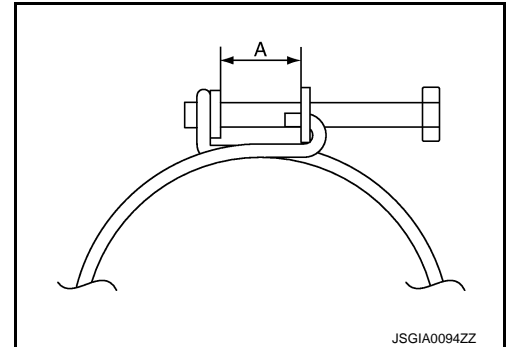
NOTE:

To get the neutral position of rack, turn gear-sub assembly and measure the distance of inner socket, and then measure the intermediate position of the distance.

- Align rear cover cap projection (A) with the marking position of gear housing assembly (B).

← : Bolt

- Install slit part of lower joint (C) aligning with the rear cover cap projection (A). Make sure that the slit part of lower joint (C) is aligned with rear cover cap projection (A) and the marking position of gear housing assembly (B).
- Adjust neutral position of steering angle sensor. Refer to [BRC-9, "ADJUSTMENT OF STEERING ANGLE SENSOR NEUTRAL POSITION : Special Repair Requirement"](#).
- Check the following after installation:
 - Check if steering wheel turns smoothly when it is turned several times fully to the end of the left and right.
 - Check the steering wheel play, neutral position steering wheel, steering wheel turning force, and front wheel turning angle. Refer to [ST-14, "Inspection"](#).



WITHOUT 4WAS : Inspection

INFOID:000000007469357

- Check the sliding range of the lower shaft.

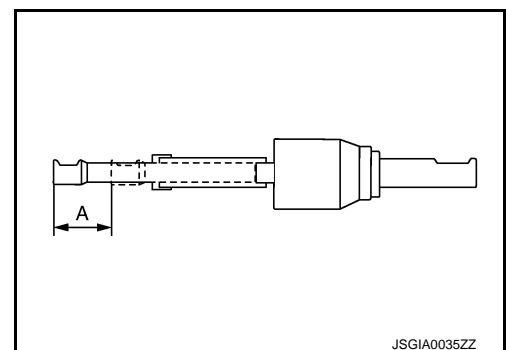
CAUTION:

Check the sliding range (A) (between the extended position and the contracted position) of the lower shaft.

Standard

Sliding range (A) : Refer to [ST-64, "Lower Shaft Sliding Range"](#).

- Check each part of lower shaft for damage or other malfunctions. Replace if there are.



WITH 4WAS

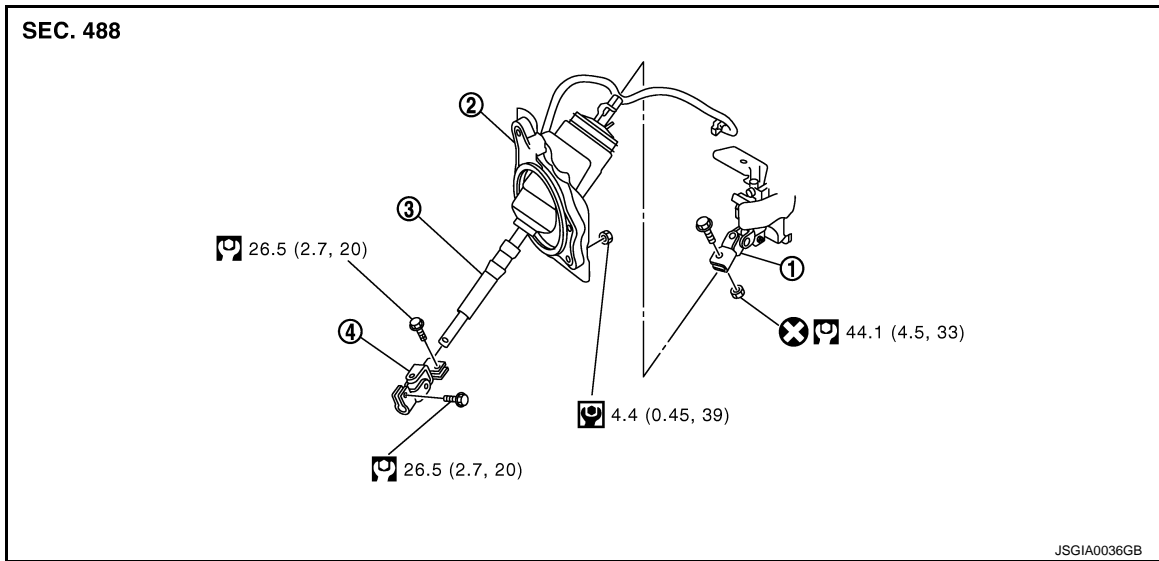
WITH 4WAS : Exploded View

INFOID:000000007469358

REMOVAL

LOWER SHAFT

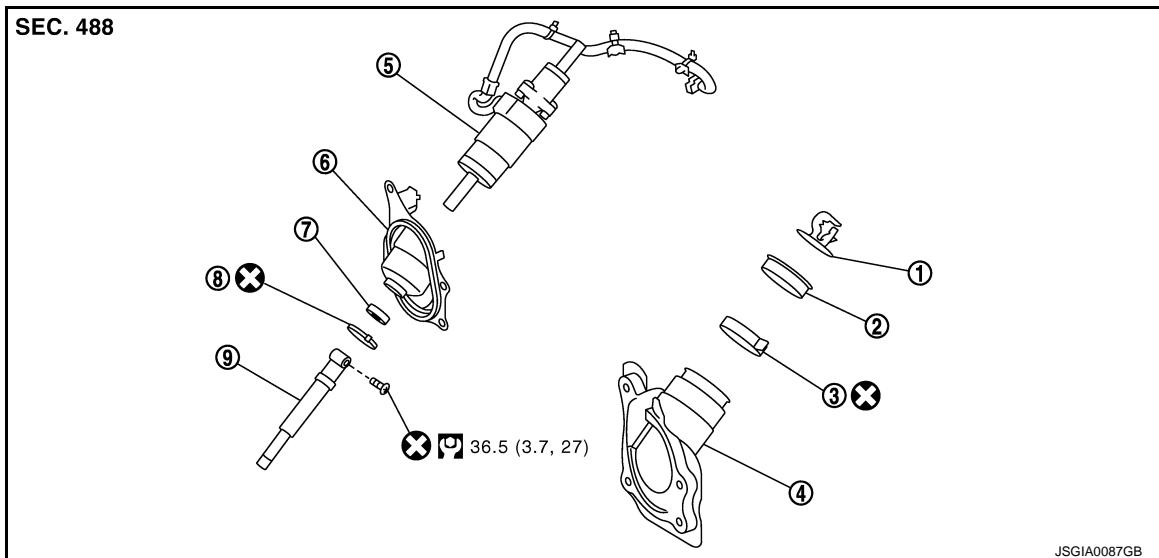
< REMOVAL AND INSTALLATION >



1. Steering column assembly
2. Hole cover assembly
3. Lower shaft (With 4WAS front actuator)
4. Lower joint

Refer to [GI-4. "Components"](#) for symbols in the figure.

DISASSEMBLY



1. Collar
2. Hole cover seal
3. Clamp
4. Hole cover
5. 4WAS front actuator
6. Hole cover (lower)
7. Hole cover seal (lower)
8. Clamp (lower)
9. Slide shaft

Refer to [GI-4. "Components"](#) for symbols in the figure.

WITH 4WAS : Removal and Installation

INFOID:000000007469359

REMOVAL

1. Set vehicle to the straight-ahead position.
2. Perform 4WAS front actuator neutral position adjustment. Refer to [STC-25. "4WAS FRONT ACTUATOR NEUTRAL POSITION ADJUSTMENT : Description"](#). (4WAS models)
3. Fix the steering wheel.

LOWER SHAFT

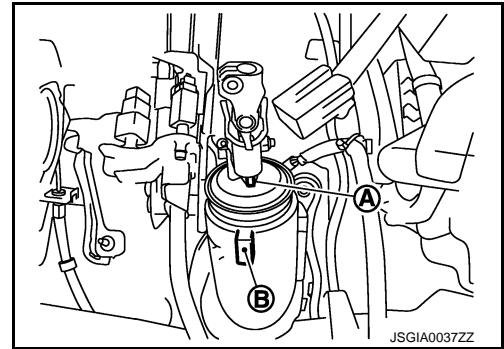
< REMOVAL AND INSTALLATION >

- Fix the lower shaft (with 4WAS front actuator) so that the positions (A) and (B) are aligned.

CAUTION:

Never damage the lower shaft (with 4WAS front actuator) and hole cover.

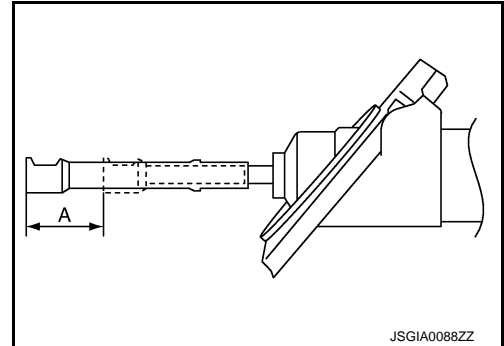
- Remove lower joint fixing bolt (steering gear side).



- Separate the lower joint from the steering gear assembly by sliding the slide shaft (A: sliding range).

CAUTION:

- Spiral cable may be cut if steering wheel turns while separating steering column assembly and steering gear assembly. Be sure to secure steering wheel using string to avoid turning.
- When removing lower joint, never insert a tool, such as a screwdriver, into the yoke groove to pull out the lower joint. In case of the violation of the above, replace lower joint with a new one.



- Remove the 4WAS front control unit. Refer to [STC-171, "Exploded View"](#).

- Remove the accelerator pedal bracket and lever assembly.

- Remove the foot grille (right). Refer to [VTL-12, "FOOT GRILLE : Removal and Installation"](#).

- Remove the hole cover mounting nuts.

- Remove the upper joint fixing bolt and nuts (lower shaft side).

CAUTION:

When removing upper joint, never insert a tool, such as a screwdriver, into the yoke groove to pull out the upper joint. In case of the violation of the above, replace upper joint with a new one.

- Remove the lower shaft (with 4WAS front actuator) and hole cover assembly.

CAUTION:

Never damage the lower shaft (with 4WAS front actuator) and hole cover.

INSTALLATION

Note the following, and install in the reverse order of removal.

CAUTION:

Spiral cable may be cut if steering wheel turns while separating steering column assembly and steering gear assembly. Be sure to secure steering wheel using string to avoid turning.

- When installing lower joint to steering gear assembly, follow the procedure listed below.
- Set rack of steering gear in the neutral position.

NOTE:

To get the neutral position of rack, turn gear-sub assembly and measure the distance of inner socket, and then measure the intermediate position of the distance.

- Align rear cover cap projection (A) with the marking position of gear housing assembly (B).

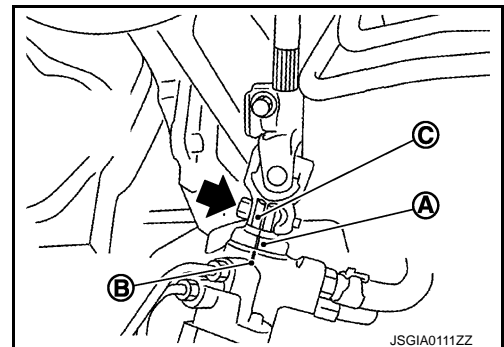
← : Bolt

- Install slit part of lower joint (C) aligning with the rear cover cap projection (A). Make sure that the slit part of lower joint (C) is aligned with rear cover cap projection (A) and the marking position of gear housing assembly (B).

- Adjust neutral position of steering angle sensor. Refer to [BRC-9, "ADJUSTMENT OF STEERING ANGLE SENSOR NEUTRAL POSITION : Special Repair Requirement"](#).

- Check the following after installation:

- Check if steering wheel turns smoothly when it is turned several times fully to the end of the left and right.



LOWER SHAFT

< REMOVAL AND INSTALLATION >

- Check the steering wheel play, neutral position steering wheel, steering wheel turning force, and front wheel turning angle. Refer to [ST-14, "Inspection"](#).
- Perform 4WAS front actuator neutral position adjustment. Refer to [STC-25, "4WAS FRONT ACTUATOR NEUTRAL POSITION ADJUSTMENT : Description"](#).

WITH 4WAS : Inspection

INFOID:000000007469360

- Check the sliding range of the lower shaft (with 4WAS front actuator).

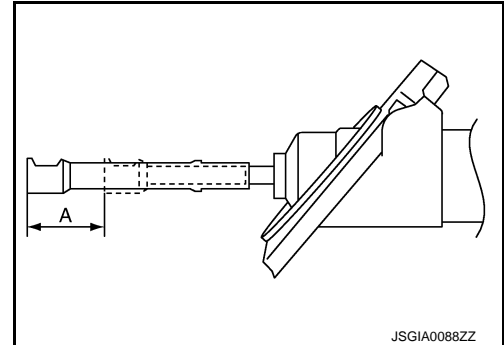
CAUTION:

Check the sliding range (A) (between the extended position and the contracted position) of the lower shaft (with 4WAS front actuator).

Standard

Sliding range (A)

: Refer to [ST-64, "Lower Shaft Sliding Range"](#).



- Check each part of lower shaft (4WAS front actuator) for damage or other malfunctions. Replace if there are.

WITH 4WAS : Disassembly and Assembly

INFOID:000000007469361

DISASSEMBLY

CAUTION:

Never rotate the 4WAS front actuator and the spiral cable counterclockwise (actuator upper side).

1. Remove the collar.
2. Remove the slide shaft.
3. Remove the clamp (lower) and the hole cover seal (lower) from the hole cover (lower).
4. Remove the hole cover (lower) from the hole cover.
5. Remove the clamp, the hole cover seal and the 4WAS front actuator from the hole cover.

ASSEMBLY

1. Perform the spiral cable neutral adjustment as per the following procedure.
 - a. Rotate the spiral cable (1) clockwise (↻) slowly until it stops.
 - b. Rotate the spiral cable 2.5 turning counterclockwise (↺) slowly. Align the spiral cable with the notch (A).

NOTE:

The spiral cable turns approximately 5 turning in maximum.

2. Install the 4WAS front actuator and the hole cover seal to the hole cover, and install the clamp to the hole cover.

CAUTION:

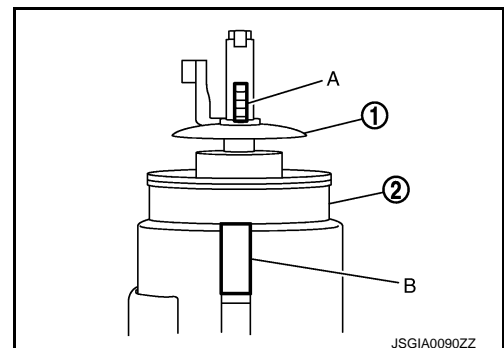
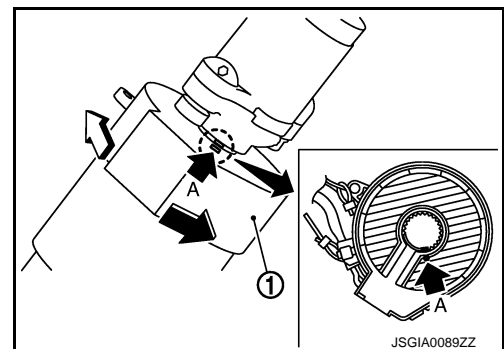
- **Assemble the clamp so as not to misalign the spiral cable position.**
- **Never reuse the clamp.**

3. Install the collar (1) to the 4WAS front actuator. Do not misalign the positions (A) and (B).

CAUTION:

Never damage the collar (1) and the hole cover (2).

4. Assemble the actuator harness to the hole cover.



LOWER SHAFT

< REMOVAL AND INSTALLATION >

5. Install the hole cover (lower) to the hole cover.

CAUTION:

Assemble the 4 hole cover (lower) pawls (↔) to the hole cover securely.

6. Install the hole cover seal (lower) to the hole cover (lower), and install the clamp (lower).

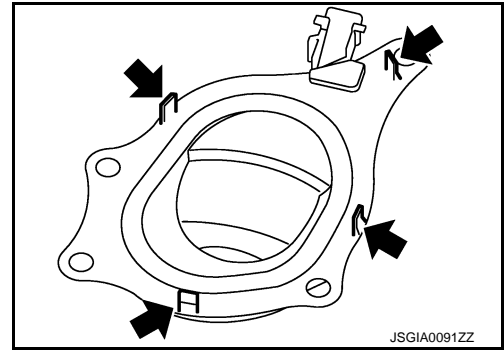
CAUTION:

Never reuse the clamp (lower).

7. Install the slide shaft to the actuator.

CAUTION:

Never reuse the bolt.



STEERING GEAR AND LINKAGE

< REMOVAL AND INSTALLATION >

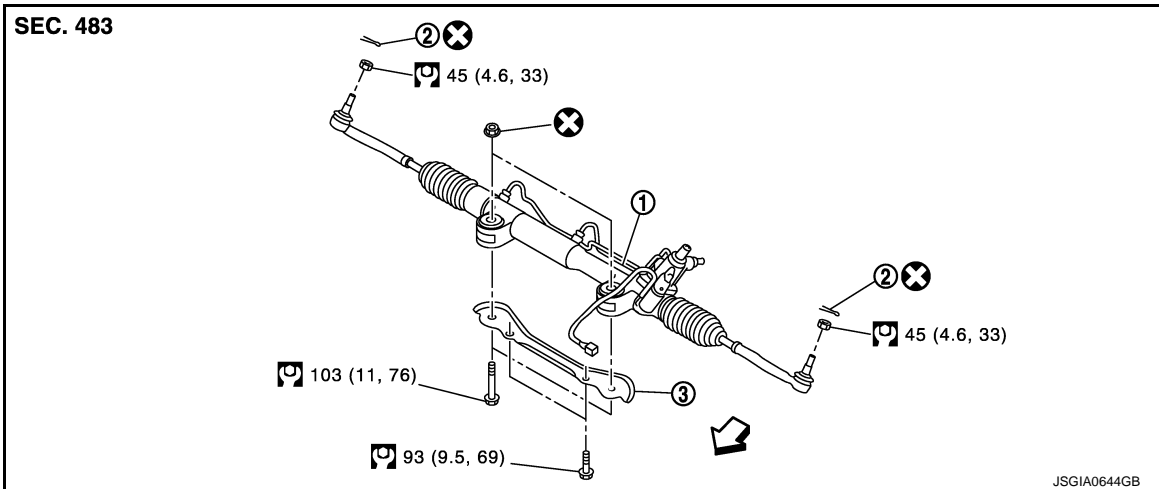
STEERING GEAR AND LINKAGE

2WD

2WD : Exploded View

INFOID:000000007469362

REMOVAL

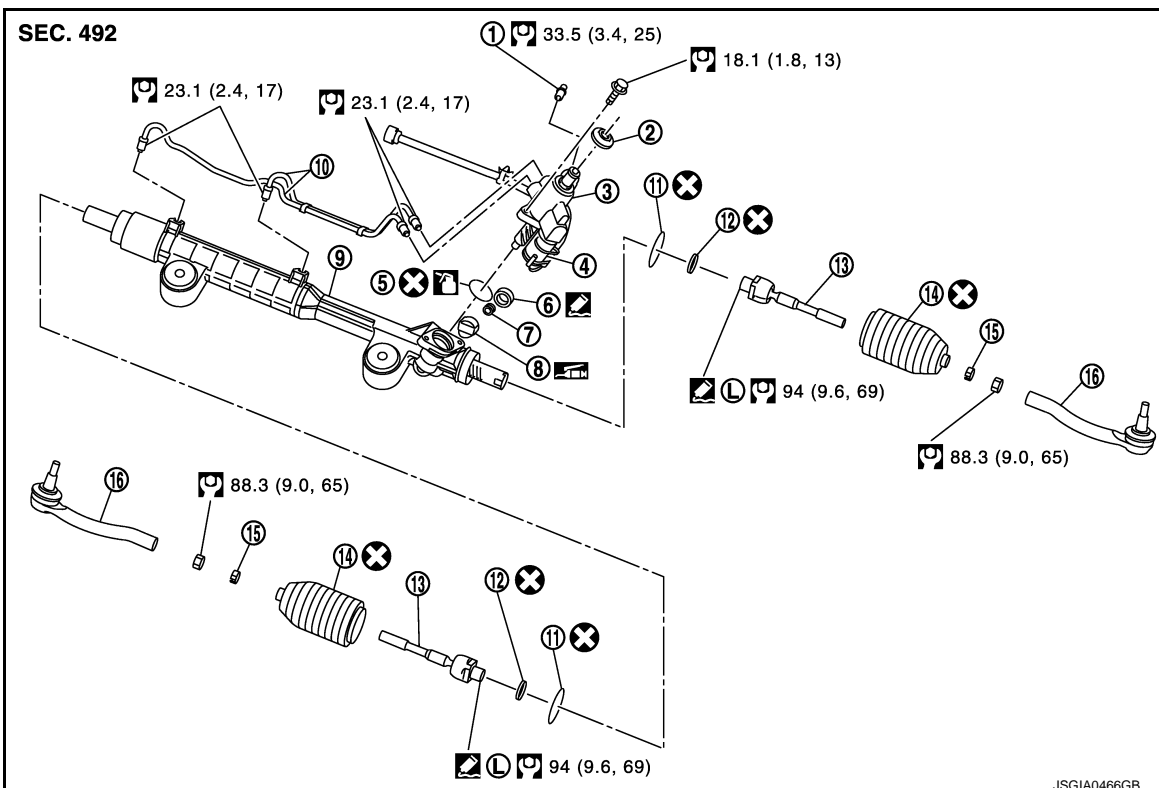


- 1. Steering gear assembly
- 2. Cotter pin
- 3. Rack stay

← Vehicle front

Refer to [GI-4. "Components"](#) for symbols in the figure.

DISASSEMBLY




- 1. Low pressure piping
- 2. Rear cover cap
- 3. Gear-sub assembly
- 4. Power steering solenoid valve
- 5. O-ring
- 6. Adjusting screw


STEERING GEAR AND LINKAGE


< REMOVAL AND INSTALLATION >

- | | | |
|--------------------|---------------------------------|--------------------------|
| 7. Spring | 8. Retainer | 9. Gear housing assembly |
| 10. Cylinder tubes | 11. Boot clamp (stainless wire) | 12. Lock plate |
| 13. Inner socket | 14. Boot | 15. Boot clamp |
| 16. Outer socket | | |

: Apply power steering fluid.

 (L): Apply Genuine Medium Strength Thread Locking Sealant or equivalent. Refer to [GI-22, "Recommended Chemical Products and Sealants"](#).

: Apply Genuine High Performance Thread Sealant or equivalent. Refer to [GI-22, "Recommended Chemical Products and Sealants"](#).

: Apply multi-purpose grease.

Refer to [GI-4, "Components"](#) for symbols not described on the above.

2WD : Removal and Installation

INFOID:000000007469363

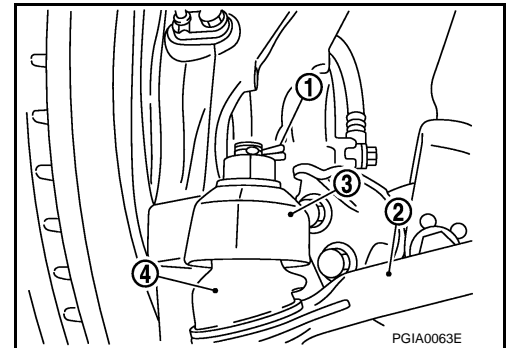
REMOVAL

1. Set vehicle to the straight-ahead position.
2. Perform 4WAS front actuator neutral position adjustment. Refer to [STC-25, "4WAS FRONT ACTUATOR NEUTRAL POSITION ADJUSTMENT : Description"](#). (4WAS models)
3. Remove tires with a power tool.
4. Remove front suspension member stay. Refer to [FSU-21, "Exploded View"](#).
5. Remove cotter pin (1), and then loosen the nut.
6. Remove steering outer socket (2) from steering knuckle (3) so as not to damage ball joint boot (4) using a ball joint remover (commercial service tool).

CAUTION:

Temporarily tighten the nut to prevent damage to threads and to prevent the ball joint remover from suddenly coming off.

7. Remove high pressure piping and low pressure piping of hydraulic piping, and then drain power steering fluid.
8. Remove power steering solenoid valve harness connector.
9. Remove rack stay. Refer to [ST-31, "2WD : Exploded View"](#).
10. Remove lower joint fixing bolt (steering gear side).

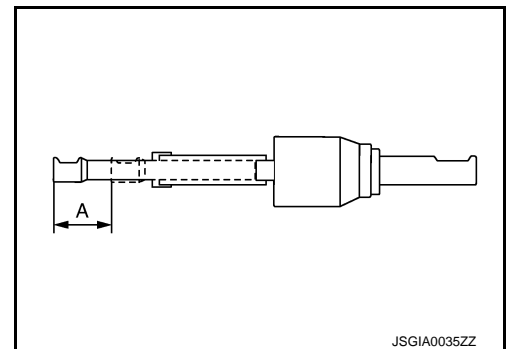


11. Separate the lower joint from the steering gear assembly by sliding the slide shaft (A: sliding range).

CAUTION:

- Spiral cable may be cut if steering wheel turns while separating steering column assembly and steering gear assembly. Be sure to secure steering wheel using string to avoid turning.
- When removing lower joint, never insert a tool, such as a screwdriver, into the yoke groove to pull out the lower joint. In case of the violation of the above, replace lower joint with a new one.

12. Remove steering gear assembly.



INSTALLATION

Note the following, and install in the reverse order of removal.

CAUTION:

Spiral cable may be cut if steering wheel turns while separating steering column assembly and steering gear assembly. Be sure to secure steering wheel using string to avoid turning.

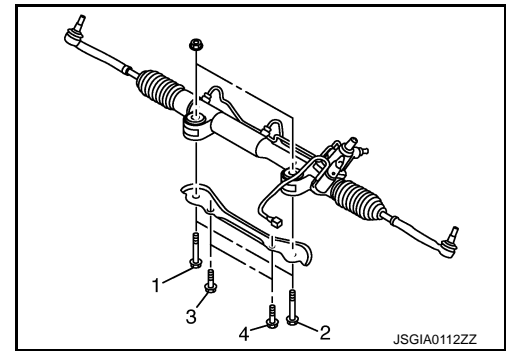
STEERING GEAR AND LINKAGE

< REMOVAL AND INSTALLATION >

- Tighten the mounting bolts in the order shown in the figure when installing the steering gear assembly.

Temporary tightening: 1 ⇒ 2 ⇒ 3 ⇒ 4

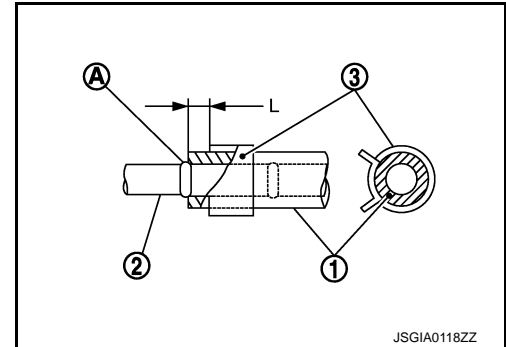
Final tightening: 1 ⇒ 2 ⇒ 3 ⇒ 4



- When installing suction hoses (1), refer to the figure.

CAUTION:

- Never apply fluid to the hose (1) and tube (2).
- Insert hose securely until it contacts spool (A) of tube.
- Install clamp (3) to the hose at 3 – 8 mm (0.12 – 0.31 in) (L) from the edge of the hose.



- When installing lower joint to steering gear assembly, follow the procedure listed below.
- Set rack of steering gear in the neutral position.

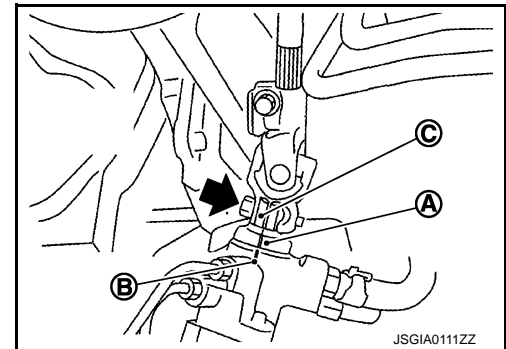
NOTE:

To get the neutral position of rack, turn gear-sub assembly and measure the distance of inner socket, and then measure the intermediate position of the distance.

- Align rear cover cap projection (A) with the marking position of gear housing assembly (B).

← : Bolt

- Install slit part of lower joint (C) aligning with the rear cover cap projection (A). Make sure that the slit part of lower joint (C) is aligned with rear cover cap projection (A) and the marking position of gear housing assembly (B).
- After installation, bleed air from the steering hydraulic system. Refer to [ST-12. "Inspection"](#).
- Perform final tightening of nuts and bolts on each part under unladen conditions with tires on level ground when removing steering gear assembly. Check wheel alignment. Refer to [FSU-7. "Inspection"](#).
- Adjust neutral position of steering angle sensor after checking wheel alignment. Refer to [BRC-9. "ADJUSTMENT OF STEERING ANGLE SENSOR NEUTRAL POSITION : Special Repair Requirement"](#).
- Perform 4WAS front actuator neutral position adjustment. Refer to [STC-25. "4WAS FRONT ACTUATOR NEUTRAL POSITION ADJUSTMENT : Description"](#). (4WAS models)



2WD : Disassembly and Assembly

INFOID:000000007469364

DISASSEMBLY

1. Remove low pressure piping.

CAUTION:

- Disassemble and assemble steering gear assembly by fixing the mounting area with a vise using copper plates.
 - Clean steering gear assembly with kerosene before disassembling. Be careful to avoid splashing or applying any kerosene over connector of discharge port or return port.
2. Remove cylinder tubes from gear housing assembly.
 3. Remove rear cover cap from gear-sub assembly.

STEERING GEAR AND LINKAGE

< REMOVAL AND INSTALLATION >

- Measure adjusting screw height "H", and loosen adjusting screw.

CAUTION:

- Never loosen adjusting screw 2 turns or more.
- Replace steering gear assembly if adjusting screw is loosened 2 turns or more and it is removed.

- Remove gear-sub assembly from gear housing assembly.
- Remove O-ring from gear housing assembly.
- Loosen outer socket lock nut, and remove outer socket.
- Remove boot clamps, and then remove boot from inner socket.

CAUTION:

Never damage inner socket and gear housing assembly when removing boot. Inner socket and gear housing assembly must be replaced if inner socket and gear housing assembly are damaged because it may cause foreign material interfusion.

- Release lock with lock plate.

CAUTION:

Never damage rack surface.

- Remove inner socket from gear housing assembly.

ASSEMBLY

- Apply recommended fluid to O-ring, and then install O-ring to gear housing assembly.
- Install gear-sub assembly to gear housing assembly.

CAUTION:

In order to protect oil seal from any damage, insert sub-gear assembly out straightly.

- Install inner socket to gear housing assembly with the following procedure.

- Attach lock plate to rack part of gear housing assembly.

CAUTION:

Never reuse the lock plate.

- Apply thread sealant into the thread of inner socket.

Use Genuine Medium Strength Thread Locking Sealant or equivalent. Refer to [GI-22. "Recommended Chemical Products and Sealants"](#).

- Screw inner socket into rack part and tighten at the specified torque.

- Secure with lock plate.

- Decide on the neutral position for the rack.

Standard

Rack stroke neutral position (L) : Refer to [ST-64. "Rack Stroke"](#).

- Install rear cover cap to gear sub-assembly.

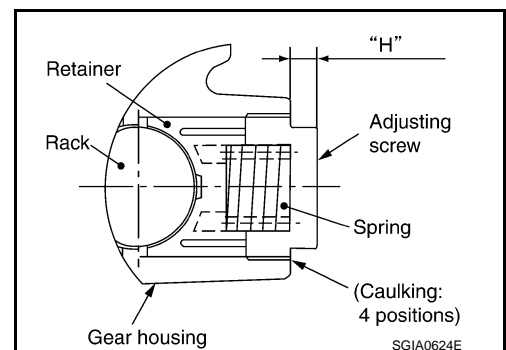
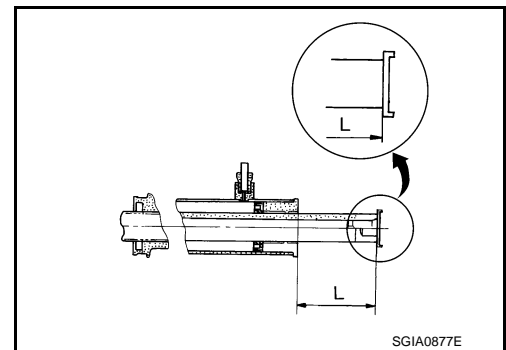
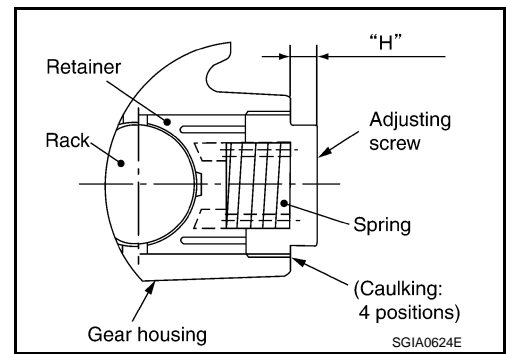
CAUTION:

Make sure that the projection of rear cover cap is aligned with the marking position of gear housing assembly.

- Apply recommended thread locking sealant to the thread (2 turns thread), and then screw in the adjusting screw until it reaches height "H" from gear housing assembly measured before disassembling.

Use Genuine High Performance Thread Sealant or equivalent. Refer to [GI-22. "Recommended Chemical Products and Sealants"](#).

- Move rack assembly 10 strokes throughout the full stroke so that the parts can fit with each other.



STEERING GEAR AND LINKAGE

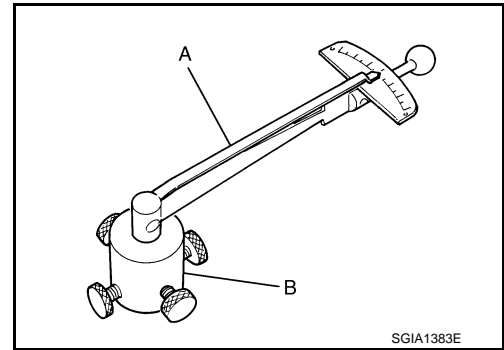
< REMOVAL AND INSTALLATION >

8. Adjust pinion rotating torque with the following procedure.
 - a. Measure pinion rotating torque within $\pm 180^\circ$ of neutral position of the rack assembly using Tools. Stop the gear at the point where highest torque is read.

A: Preload gauge [SST: ST3127S000 (J-25765-A)]

B: Preload adapter [SST: KV48103400 (—)]

- b. Loosen adjusting screw and retighten to 5.4 N·m (0.55 kg·m, 48 in·lb), and then loosen by 20 to 40°.

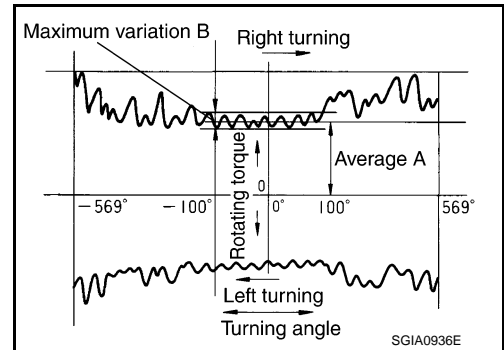


- c. Measure pinion rotating torque using Tools to make sure that the measured value is within the standard. Readjust if the value is outside the standard. Replace steering gear assembly if the value is outside the standard after readjusting or adjusting screw rotating torque is 5 N·m (0.51 kg·m, 44 in·lb) or less.

Pinion rotating torque

Around neutral position (within $\pm 100^\circ$) average "A" : Refer to [ST-65, "Pinion Rotating Torque"](#)

Maximum variation "B" : Refer to [ST-65, "Pinion Rotating Torque"](#)



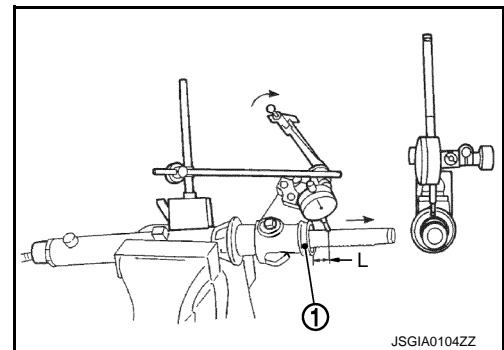
- d. Apply recommended liquid gasket to inner socket and turn pinion fully to left with inner socket installed to gear housing assembly.
 - e. Install dial gauge at 5 mm (0.20 in) (L) from the edge of gear housing assembly (1), and tooth point.
 - f. Measure vertical movement of rack assembly when pinion is turned clockwise with torque of 19.6 N·m (2.0 kg·m, 14 ft·lb). Readjust adjusting screw angle if the measured value is outside the standard.

Vertical movement : **0.265 mm (0.0104 in)**

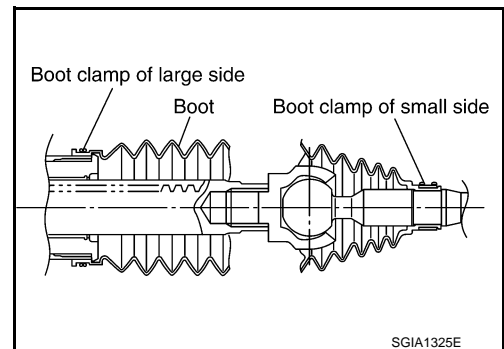
- If reading is outside of the specification, readjust screw angle with adjusting screw.

CAUTION:

- **If reading is still outside of specification, or if the rotating torque of adjusting screw is less than 5 N·m (0.51 kg·m, 44 in·lb), replace steering gear assembly.**
- **Never turn adjusting screw more than twice.**
- **Replace steering gear assembly when adjusting screw is removed or turned more than twice.**



9. Install large end of boot to gear housing assembly.
10. Install small end of boot to inner socket boot mounting groove.
11. Install boot clamp to boot small end.



12. Install boot clamp to the large side of boot with the following procedure.

CAUTION:

Never reuse boot clamp.

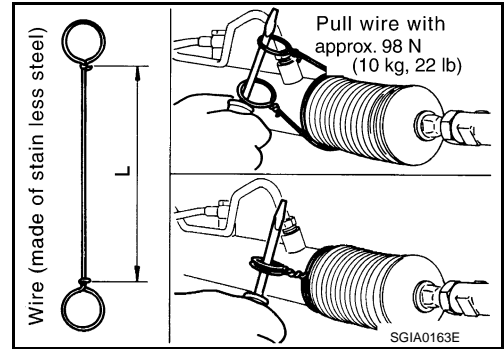
STEERING GEAR AND LINKAGE

< REMOVAL AND INSTALLATION >

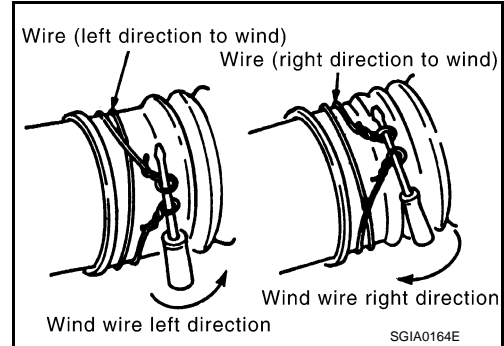
- a. Tighten large side of boot with boot clamp (stainless wire).

Wire length (L) : 370 mm (14.57 in)

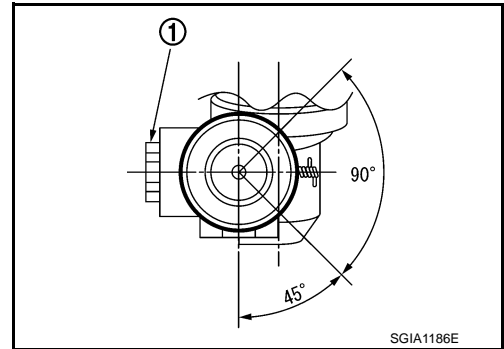
- b. Wrap clamp around boot groove for two turns. Insert a flat-bladed screwdriver in loops on both ends of wire. Twist 4 to 4.5 turns while pulling them with force of approximately 98 N (10 kg, 22 lb).



- c. Twist boot clamp as shown. Pay attention to relationship between winding and twisting directions.



- d. Twisted area of clamp is in the opposite side of adjusting screw (1) as shown in the figure (to prevent contact with other parts).

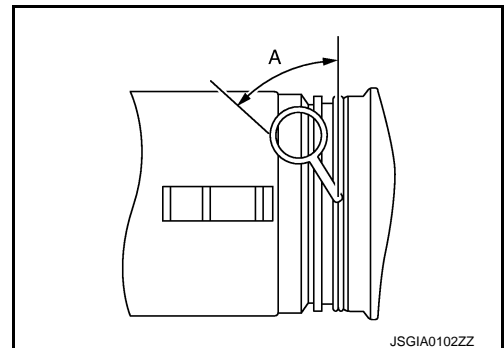


- e. Bent cut end of the wire as shown in the figure after twisting the wire 4 to 4.5 turns so that cut end does not contact with boot.

CAUTION:

Keep gap from cylinder tube 5 mm (0.20 in) or more.

Wire angle (A) : 45°



13. Install cylinder tubes to gear housing assembly.
14. Install low pressure piping.

STEERING GEAR AND LINKAGE

< REMOVAL AND INSTALLATION >

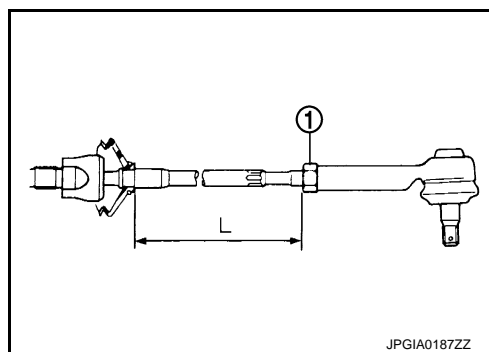
15. Adjust inner socket to standard length (L), and then tighten lock nut (1) to the specified torque. Check length again after tightening lock nut.

Standard

Inner socket length (L) : Refer to [ST-64, "Inner Socket Length"](#).

CAUTION:

Adjust toe-in after this procedure. The length achieved after toe-in adjustment is not necessary the above value.



INFOID:000000007469365

2WD : Inspection

INSPECTION AFTER DISASSEMBLY

Boot

- Check boot for cracks, and replace it if a malfunction is detected.

Rack Assembly

- Check rack for damage or wear, and replace it if a malfunction is detected.

Gear-Sub Assembly

- Check gear-sub assembly for damage or wear, and replace it if a malfunction is detected.
- Rotate gear-sub assembly and check for torque variation or rattle, and replace it if a malfunction is detected.

Gear Housing Assembly

- Check gear housing assembly for damage and scratches (inner wall). Replace if there are.

Outer Socket and Inner Socket

- Check the following items and replace the component if it does not meet the standard.

BALL JOINT SWINGING TORQUE

- Hook a spring balance at the point shown in the figure and pull the spring balance. Make sure that the spring balance reads the specified value when ball stud and inner socket start to move. Replace outer socket and inner socket if they are outside the standard.

Standard for outer socket

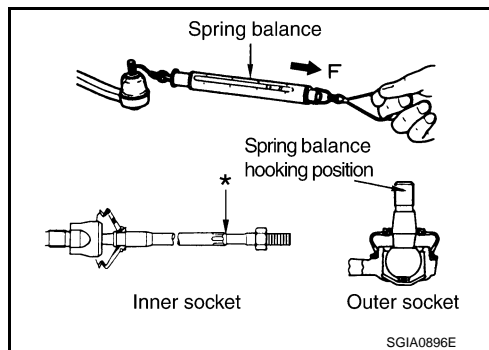
(Measuring point: Stud cotter pin mounting hole)

Spring balance measurement : Refer to [ST-64, "Socket Swing Force and Rotating Torque"](#).

Standard for inner socket

(Measuring point: "*" mark shown in the figure)

Spring balance measurement : Refer to [ST-64, "Socket Swing Force and Rotating Torque"](#).



BALL JOINT ROTATING TORQUE

STEERING GEAR AND LINKAGE

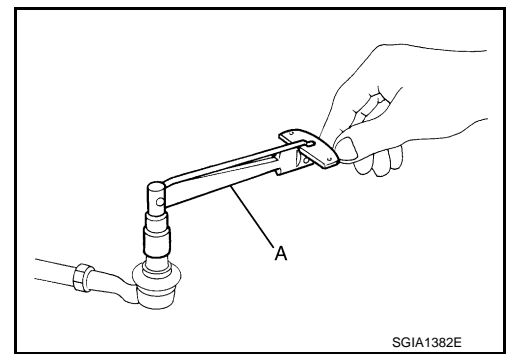
< REMOVAL AND INSTALLATION >

- Make sure that the reading is within the following specified range using preload gauge (A) [SST: ST3127S000 (J-25765-A)]. Replace outer socket if the reading is outside the specified value.

Standard

Outer socket rotating torque

: Refer to [ST-64, "Socket Swing Force and Rotating Torque"](#).



SGIA1382E

BALL JOINT AXIAL END PLAY

- Apply an axial load of 490 N (50 kg, 110 lb) to ball stud. Using a dial gauge, measure amount of stud movement, and then make sure that the value is within the following specified range. Replace outer socket (1) and inner socket (2) if the measured value is outside the standard.

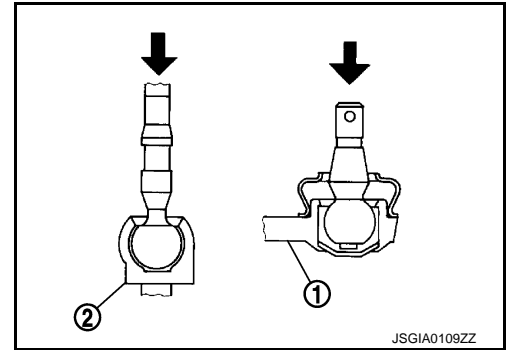
Standard

Outer socket

: Refer to [ST-64, "Socket Axial End Play"](#).

Inner socket

: Refer to [ST-64, "Socket Axial End Play"](#).



JSGIA0109ZZ

INSPECTION AFTER INSTALLATION

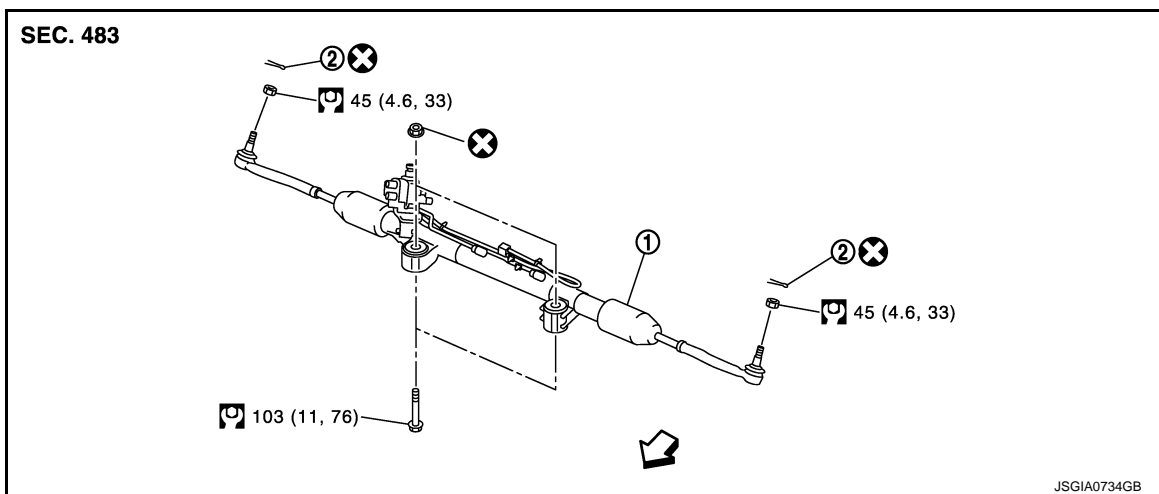
- Check if steering wheel turns smoothly when it is turned several times fully to the end of the left and right.
- Check the steering wheel play, neutral position steering wheel, steering wheel turning force, and front wheel turning angle. Refer to [ST-14, "Inspection"](#).
- Check the fluid level, fluid leakage, and air bleeding hydraulic system. Refer to [ST-12, "Inspection"](#).
- Perform 4WAS front actuator neutral position adjustment. Refer to [STC-25, "4WAS FRONT ACTUATOR NEUTRAL POSITION ADJUSTMENT : Description"](#).

AWD

AWD : Exploded View

INFOID:000000007469366

REMOVAL



JSGIA0734GB

- Steering gear assembly
- Cotter pin

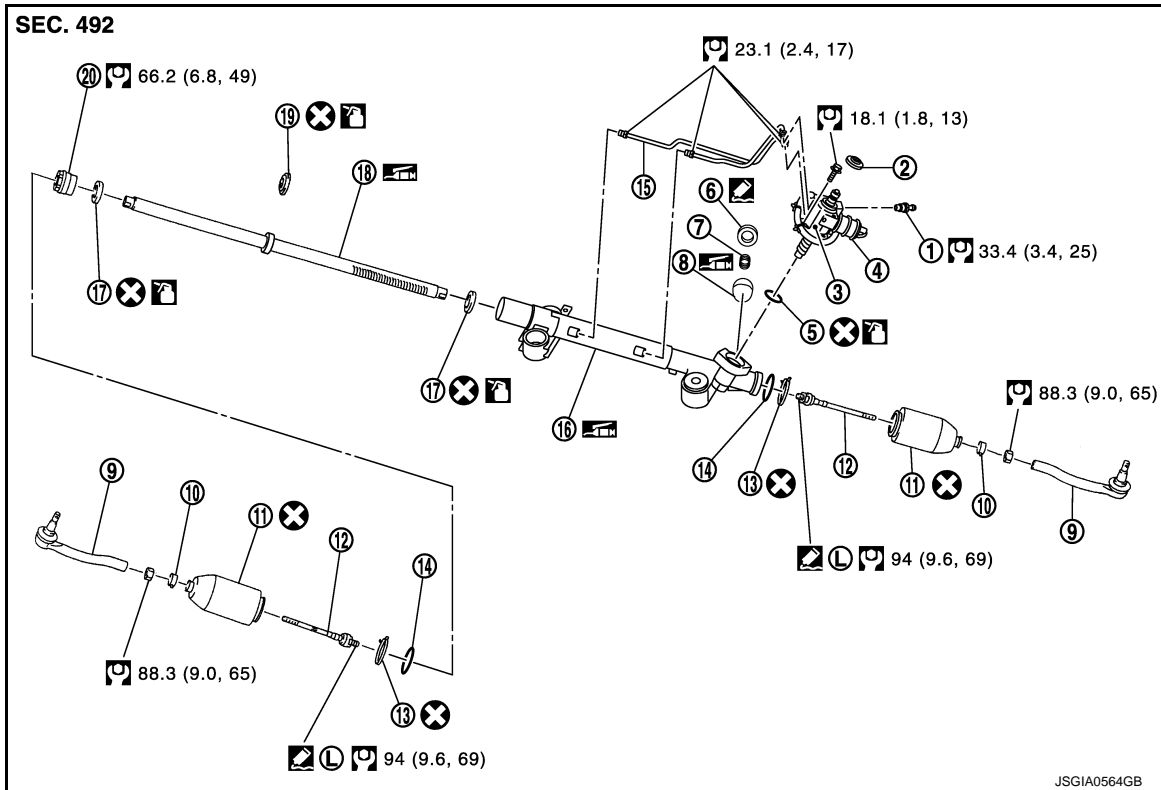
↔ Vehicle front

Refer to [GI-4, "Components"](#) for symbols in the figure.

STEERING GEAR AND LINKAGE

< REMOVAL AND INSTALLATION >

DISASSEMBLY



- | | | |
|----------------------------------|------------------------|----------------------|
| 1. Low pressure piping | 2. Rear cover cap | 3. Gear-sub assembly |
| 4. Power steering solenoid valve | 5. O-ring | 6. Adjusting screw |
| 7. Spring | 8. Retainer | 9. Outer socket |
| 10. Boot clamp | 11. Boot | 12. Inner socket |
| 13. Boot clamp (stainless wire) | 14. Spacer | 15. Cylinder tubes |
| 16. Gear housing assembly | 17. Rack oil seal | 18. Rack assembly |
| 19. Rack Teflon ring | 20. End cover assembly | |

: Apply power steering fluid.

(L): Apply Genuine Medium Strength Thread Locking Sealant or equivalent. Refer to [GI-22, "Recommended Chemical Products and Sealants"](#).

: Apply Genuine High Performance Thread Sealant or equivalent. Refer to [GI-22, "Recommended Chemical Products and Sealants"](#).

: Apply multi-purpose grease.

Refer to [GI-4, "Components"](#) for symbols not described on the above.

AWD : Removal and Installation

INFOID:000000007469367

REMOVAL

1. Set vehicle to the straight-ahead position.
2. Remove tires.
3. Remove front cross bar. Refer to [FSU-43, "Exploded View"](#).

STEERING GEAR AND LINKAGE

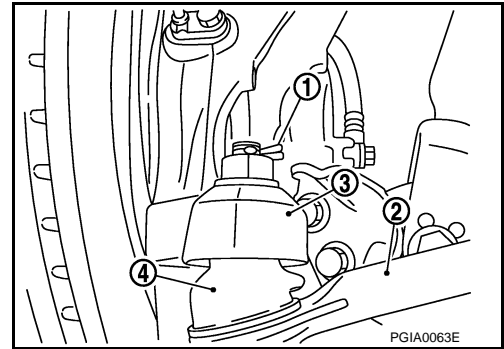
< REMOVAL AND INSTALLATION >

4. Remove cotter pin (1), and then loosen the nut.
5. Remove steering outer socket (2) from steering knuckle (3) so as not to damage ball joint boot (4) using a ball joint remover (commercial service tool).

CAUTION:

Temporarily tighten the nut to prevent damage to threads and to prevent the ball joint remover from suddenly coming off.

6. Remove high pressure piping and low pressure piping of hydraulic piping, and then drain power steering fluid.

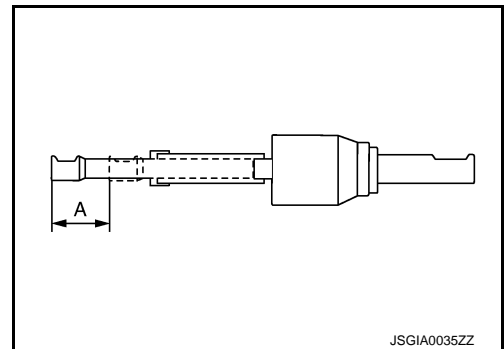


7. Remove steering hydraulic piping bracket from steering gear assembly.
8. Remove power steering solenoid valve harness connector.
9. Remove lower joint fixing bolt (steering gear side).

10. Separate the lower joint from the steering gear assembly by sliding the slide shaft (A: sliding range).

CAUTION:

- Spiral cable may be cut if steering wheel turns while separating steering column assembly and steering gear assembly. Be sure to secure steering wheel using string to avoid turning.
- When removing lower joint, never insert a tool, such as a screwdriver, into the yoke groove to pull out the lower joint. In case of the violation of the above, replace lower joint with a new one.



11. Set a suitable jack to transmission assembly.
12. Remove the mounting nuts and bolts on the lower side of shock absorber arm, and then remove shock absorber arm from transverse link. Refer to [FSU-31, "Exploded View"](#).
13. Set a suitable jack to front suspension member.
14. Remove the mounting bolts and nuts of steering gear assembly.
15. Remove the mounting nuts of engine mounting insulator. Refer to [EM-74, "AWD : Exploded View"](#).
16. Remove the mounting nuts of front suspension member. Refer to [FSU-43, "Exploded View"](#).
17. Set an appropriate jack and lower it to the position where the steering gear assembly can be removed.

CAUTION:

- Move the jack slowly when lowering it.
- Support the steering gear assembly so that it will not drop.

18. Remove steering gear assembly.

INSTALLATION

Note the following, and install in the reverse order of removal.

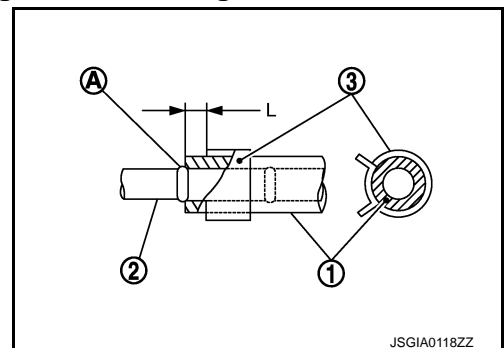
CAUTION:

Spiral cable may be cut if steering wheel turns while separating steering column assembly and steering gear assembly. Be sure to secure steering wheel using string to avoid turning.

- When installing suction hose (1), refer to the figure.

CAUTION:

- Never apply fluid to the hose (1) and tube (2).
- Insert hose securely until it contacts spool (A) of tube.
- Install clamp (3) to the hose at 3 – 8 mm (0.12 – 0.31 in) (L) from the edge of the hose.



STEERING GEAR AND LINKAGE

< REMOVAL AND INSTALLATION >

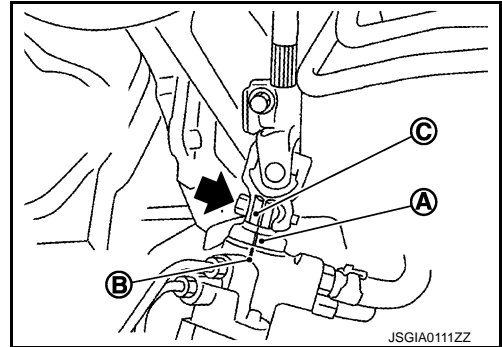
- When installing lower joint to steering gear assembly, follow the procedure listed below.
- Set rack of steering gear in the neutral position.

NOTE:

- To get the neutral position of rack, turn gear-sub assembly and measure the distance of inner socket, and then measure the intermediate position of the distance.
- Align rear cover cap projection (A) with the marking position of gear housing assembly (B).

← : Bolt

- Install slit part of lower joint (C) aligning with the rear cover cap projection (A). Make sure that the slit part of lower joint (C) is aligned with rear cover cap projection (A) and the marking position of gear housing assembly (B).
- After installation, bleed air from the steering hydraulic system. Refer to [ST-47, "AWD : Inspection"](#).
- Perform final tightening of nuts and bolts on each part under unladen conditions with tires on level ground when removing steering gear assembly. Check wheel alignment. Refer to [FSU-29, "Inspection"](#).
- Adjust neutral position of steering angle sensor after checking wheel alignment. Refer to [BRC-9, "ADJUSTMENT OF STEERING ANGLE SENSOR NEUTRAL POSITION : Special Repair Requirement"](#).



AWD : Disassembly and Assembly

INFOID:000000007469368

DISASSEMBLY

1. Remove low pressure piping.

CAUTION:

- Disassemble and assemble steering gear assembly by fixing the mounting area with a vise using copper plates.
- Clean steering gear assembly with kerosene before disassembling. Be careful to avoid splashing or applying any kerosene over connector of discharge port or return port.

2. Remove cylinder tubes from gear housing assembly.
3. Remove rear cover cap from gear-sub assembly.
4. Measure adjusting screw height "H", and loosen adjusting screw.

CAUTION:

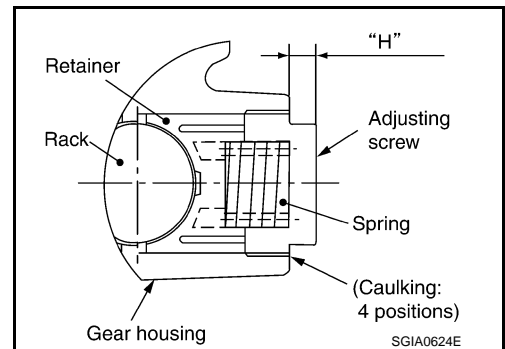
- Never loosen adjusting screw 2 turns or more.
- Replace steering gear assembly if adjusting screw is loosened 2 turns or more and it is removed.

5. Remove gear-sub assembly from gear housing assembly.
6. Remove O-ring from gear housing assembly.
7. Loosen outer socket lock nut, and remove outer socket.
8. Remove boot clamps, and then remove boot from inner socket.

CAUTION:

Never damage inner socket and gear housing assembly when removing boot. Inner socket and gear housing assembly must be replaced if inner socket and gear housing assembly are damaged because it may cause foreign material interfusion.

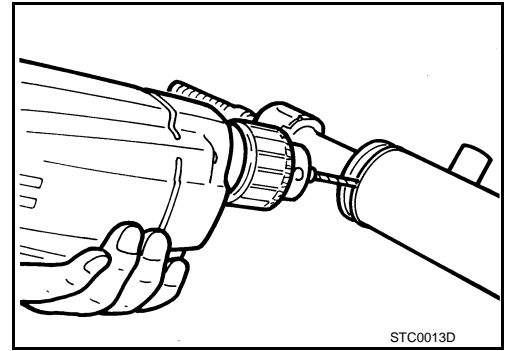
9. Remove inner socket from gear housing assembly.



STEERING GEAR AND LINKAGE

< REMOVAL AND INSTALLATION >

10. Drill out the clinching part of gear housing assembly (end cover assembly side) outer rim with a 3 mm (0.12 in) drill bit. [Drill for approximately 1.5 mm (0.059 in) depth.]



11. Remove end cover assembly with a 36 mm (1.42 in) open head (commercial service tool).

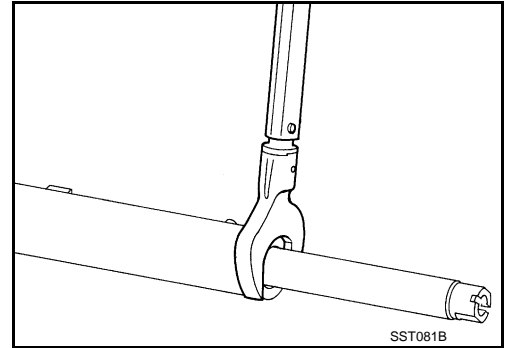
CAUTION:

Never damage rack assembly surface when removing. Rack assembly must be replaced if damaged because it may cause fluid leakage.

12. Pull rack assembly together with rack oil seal (outer side) out from gear housing assembly.

CAUTION:

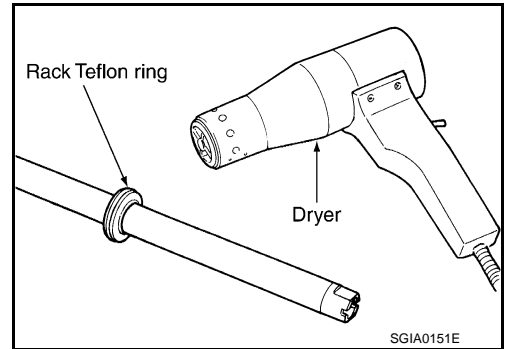
Never damage cylinder inner wall when remove rack assembly. Gear housing assembly must be replaced if damaged because it may cause fluid leakage.



13. Heat rack Teflon ring to approximately 40°C (104°F) with a dryer, and remove rack Teflon ring from rack assembly.

CAUTION:

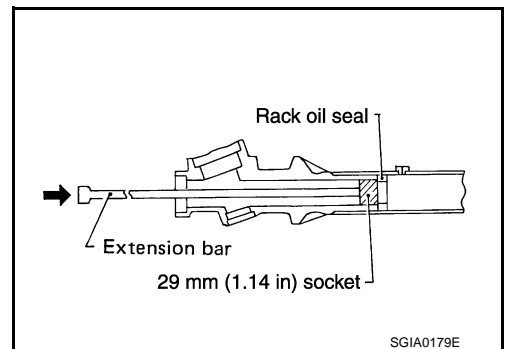
Never damage rack assembly. Rack assembly must be replaced if damaged because it may cause fluid leakage.



14. Push rack oil seal inside with a 29 mm (1.14 in) socket and an extension bar to push out rack oil seal (inner side) from gear housing assembly.

CAUTION:

Never damage gear housing assembly and cylinder inner wall. Gear housing assembly must be replaced if damaged because it may cause fluid leakage.



ASSEMBLY

1. Apply recommended fluid to rack Teflon ring.

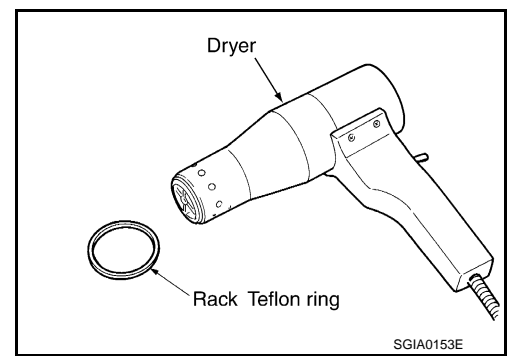
STEERING GEAR AND LINKAGE

< REMOVAL AND INSTALLATION >

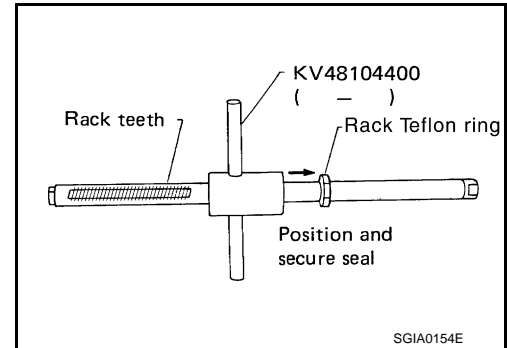
2. Heat rack Teflon ring to approximately 40°C (104°F) with a dryer. Assemble it to mounting groove of rack assembly.

CAUTION:

Never reuse rack Teflon ring and O-ring.



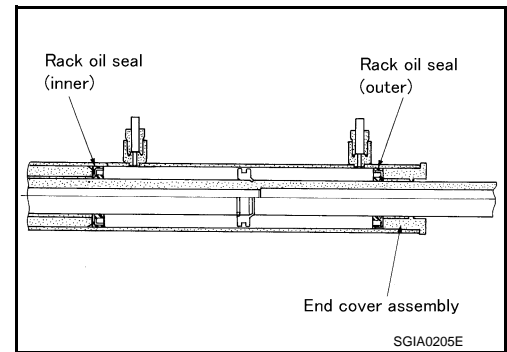
3. Install the Teflon ring correcting tool [SST: KV48104400 (—)] from tooth side of rack to fit rack Teflon ring on rack. Compress the ring with tool.



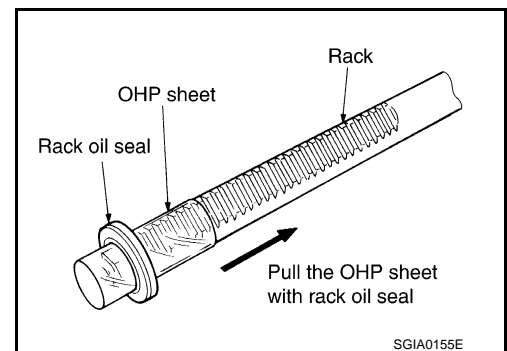
4. Apply recommended grease to rack oil seal, and then install rack oil seal in the following procedure. Then assemble rack assembly to gear housing assembly.

CAUTION:

- Install rack oil seal in a direction so that the lip of inner oil seal and the lip of outer oil seal face each other.
- Never damage retainer sliding surface by rack assembly. Replace gear housing assembly if damaged.
- Never damage gear housing assembly inner wall by rack assembly. Gear housing assembly must be replaced if damaged because it may cause fluid leakage.
- Never reuse rack oil seal.



- a. Wrap an OHP sheet [approximately 70 mm (2.76 in) × 100 mm (3.94 in)]. Around rack assembly teeth to avoid damaging rack oil seal (inner). Install rack oil seal over sheet. Then, pull OHP sheet along with rack oil seal until they pass rack assembly teeth, and remove OHP sheet.

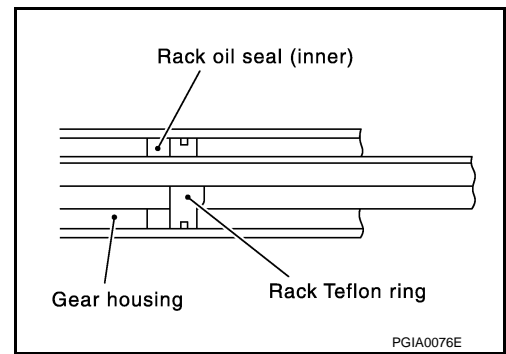


A
B
C
D
E
F
ST
H
I
J
K
L
M
N
O
P

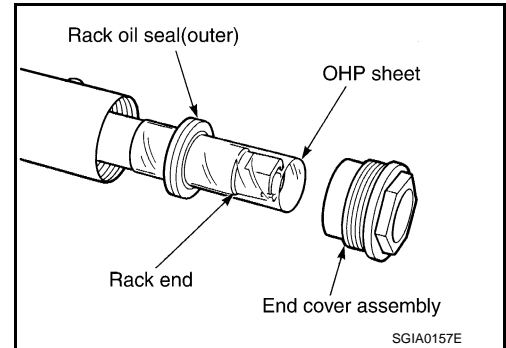
STEERING GEAR AND LINKAGE

< REMOVAL AND INSTALLATION >

- b. Insert rack oil seal (inner) into rack assembly piston (rack Teflon ring).
- c. Push retainer to adjusting screw side by hand, and move the rack assembly inside the gear housing assembly so that the rack oil seal (inner) can be pressed against the gear housing assembly.



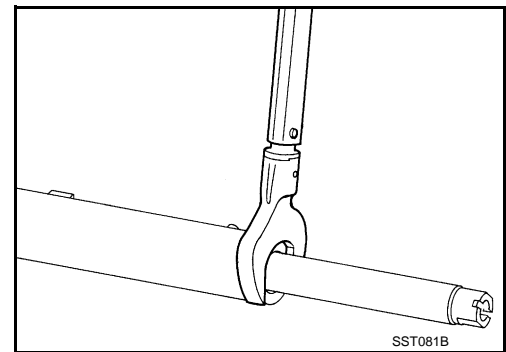
- d. Wrap an OHP sheet [approximately 70 mm (2.76 in) × 100 mm (3.94 in)]. Around the edge to avoid damaging rack oil seal (outer). Install rack oil seal over sheet. Then, pull oil seal along with OHP sheet until they pass rack edge, and remove OHP sheet.
- e. Install end cover assembly to rack edge, and move rack oil seal (outer) until it contacts with gear housing assembly.



5. Tighten end cover assembly to specified torque using a 36 mm (1.42 in) open head (commercial service tool).

CAUTION:

Never damage rack assembly. Replace it if damaged because it may cause fluid leakage.

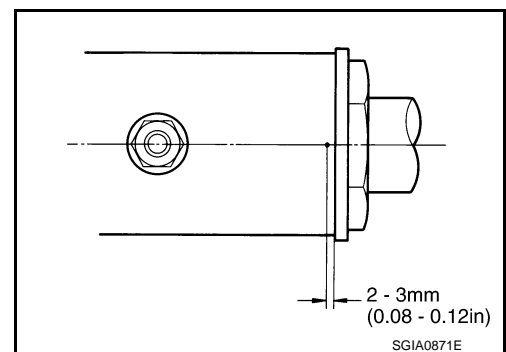


6. Crimp gear housing assembly at one point using a punch as shown in the figure so as to prevent end cover assembly from getting loose after tightening end cover assembly.
7. Apply recommended fluid to O-ring, and then install O-ring to gear housing assembly.
8. Install gear-sub assembly to gear housing assembly.

CAUTION:

In order to protect oil seal from any damage, insert gear-sub assembly straightly.

9. Install inner socket to gear housing assembly with the following procedure.



- a. Apply thread locking sealant into the thread of inner socket.
Use Genuine Medium Strength Thread Locking Sealant or equivalent. Refer to [GI-22, "Recommended Chemical Products and Sealants"](#).
10. Screw inner socket into rack part and tighten at the specified torque.

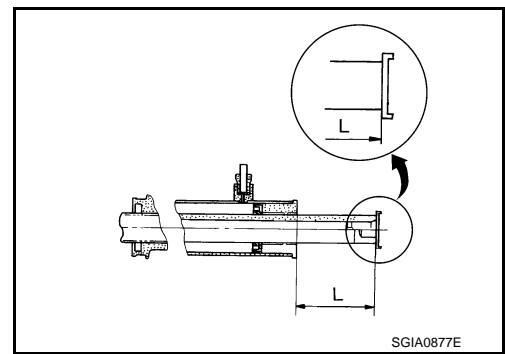
STEERING GEAR AND LINKAGE

< REMOVAL AND INSTALLATION >

11. Decide on the neutral position of the rack stroke (L).

Standard

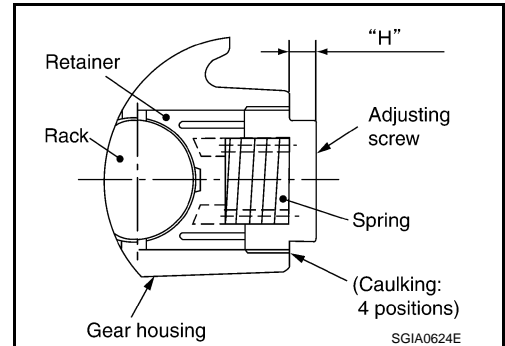
Rack stroke neutral position (L) : Refer to [ST-64, "Rack Stroke"](#).



12. Install rear cover cap to gear sub-assembly.

CAUTION:

Make sure that the projection of rear cover cap is aligned with the marking position of gear housing assembly.



13. Apply recommended sealant into the thread of adjusting screw (2 turns thread), and then screw in the adjusting screw until it reaches height "H" from gear housing assembly measured before disassembling.

Use Genuine High Performance Thread Sealant or equivalent. Refer to [GI-22, "Recommended Chemical Products and Sealants"](#).

14. Move rack assembly 10 strokes throughout the full stroke so that the parts can fit with each other.

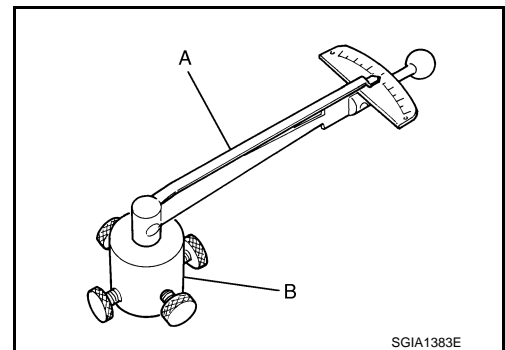
15. Adjust pinion rotating torque with the following procedure.

a. Measure pinion rotating torque within $\pm 180^\circ$ of neutral position of the rack assembly using Tools. Stop the gear at the point where highest torque is read.

A: Preload gauge [SST: ST3127S000 (J-25765-A)]

B: Preload adapter [SST: KV48103400 (—)]

b. Loosen adjusting screw and retighten to 5.4 N·m (0.55 kg·m, 48 in·lb), and then loosen by 20 to 40°.

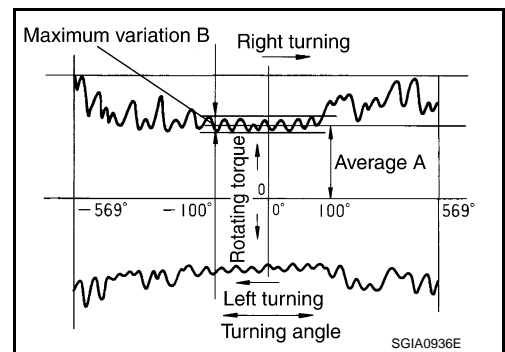


c. Measure pinion rotating torque using tools to make sure that the measured value is within the standard. Readjust if the value is outside the standard. Replace steering gear assembly, if the value is outside the standard after readjusting, or adjusting screw rotating torque is 5 N·m (0.51 kg·m, 44 in·lb) or less.

Pinion rotating torque

Around neutral position (within $\pm 100^\circ$) average "A" : Refer to [ST-65, "Pinion Rotating Torque"](#)

Maximum variation "B" : Refer to [ST-65, "Pinion Rotating Torque"](#)



d. Apply thread locking sealant to inner socket and turn pinion fully to left with inner socket installed to gear housing assembly.

STEERING GEAR AND LINKAGE

< REMOVAL AND INSTALLATION >

- e. Install dial gauge at 5 mm (0.20 in) (L) from the edge of gear housing assembly (1), and tooth point.
- f. Measure vertical movement of rack assembly when pinion is turned clockwise with torque of 19.6 N·m (2.0 kg-m, 14 ft-lb). Readjust adjusting screw angle if the measured value is outside the standard.

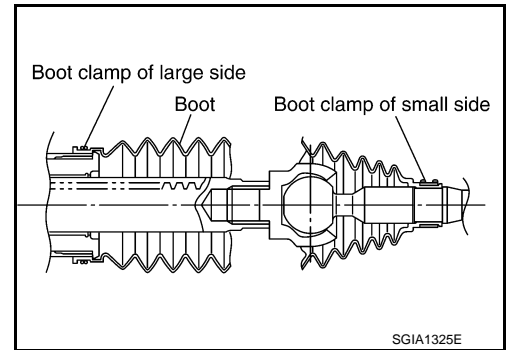
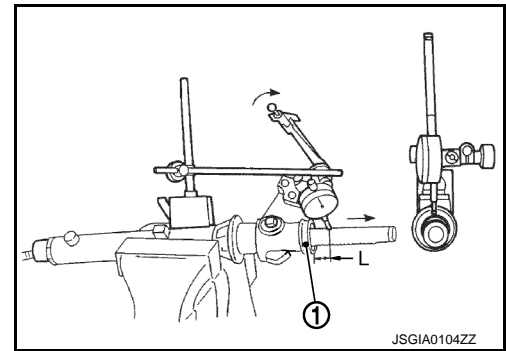
Vertical movement : 0.265 mm (0.0104 in)

- If reading is outside of the specification, readjust screw angle with adjusting screw.

CAUTION:

- **If reading is still outside of specification, or if the rotating torque of adjusting screw is less than 5 N·m (0.51 kg-m, 44 in-lb), replace steering gear assembly.**
- **Never turn adjusting screw more than twice.**
- **Replace steering gear assembly when adjusting screw is removed or turned more than twice.**

16. Install large end of boot to gear housing assembly.
17. Install small end of boot to inner socket boot mounting groove.
18. Install boot clamp to boot small end.



19. Install boot clamp to the large side of boot with the following procedure.

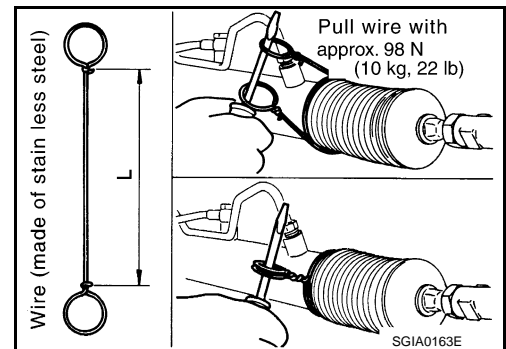
CAUTION:

Never reuse boot clamp.

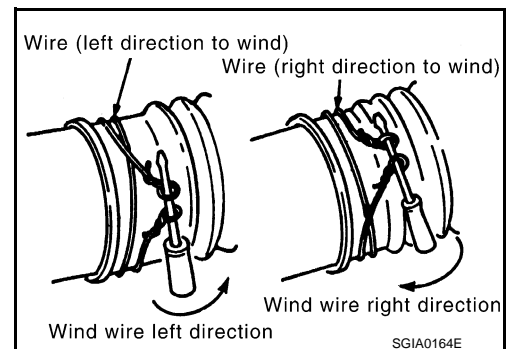
- a. Tighten large side of boot with boot clamp (stainless wire).

Wire length (L) : 370 mm (14.57 in)

- b. Wrap clamp around boot groove for two turns. Insert a flat-bladed screwdriver in loops on both ends of wire. Twist 4 to 4.5 turns while pulling them with force of approximately 98 N (10 kg, 22 lb).



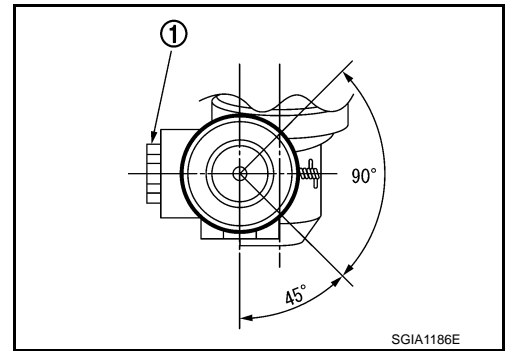
- c. Twist boot clamp as shown. Pay attention to relationship between winding and twisting directions.



STEERING GEAR AND LINKAGE

< REMOVAL AND INSTALLATION >

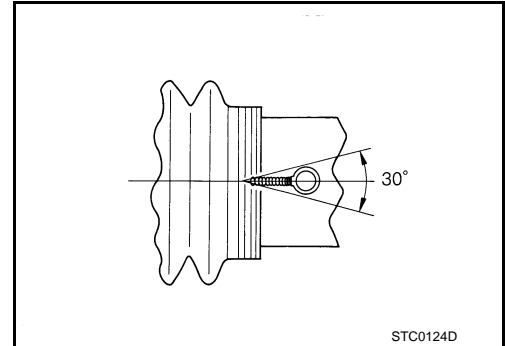
- d. Twisted area of clamp is in the opposite side of adjusting screw (1) as shown in the figure (to prevent contact with other parts).



- e. Bent cut end of the wire toward rack axial as shown in the figure after twisting the wire 4 to 4.5 turns so that cut end does not contact with boot.

CAUTION:

Keep gap from cylinder tube 5 mm (0.20 in) or more.



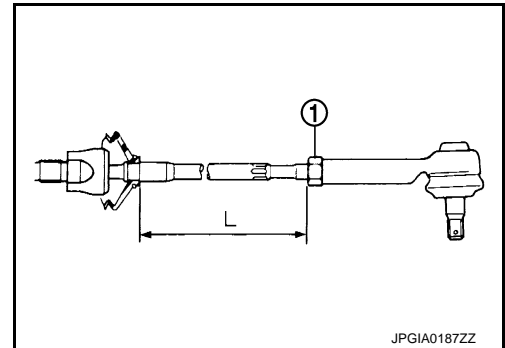
20. Install cylinder tubes to gear housing assembly.
 21. Install low pressure piping.
 22. Adjust inner socket to standard length (L), and then tighten lock nut (1) to the specified torque. Check length again after tightening lock nut.

Standard

Inner socket length (L) : Refer to ST-64, "Inner Socket Length".

CAUTION:

Adjust toe-in after this procedure. The length achieved after toe-in adjustment is not necessary the above value.



AWD : Inspection

INSPECTION AFTER DISASSEMBLY

Boot

Check boot for cracks, and replace it if a malfunction is detected.

Rack Assembly

Check rack for damage or wear, and replace it if a malfunction is detected.

Gear-Sub Assembly

- Check gear-sub assembly for damage or wear, and replace it if a malfunction is detected.
- Rotate gear-sub assembly and check for torque variation or rattle, and replace it if a malfunction is detected.

Gear Housing Assembly

Check gear housing assembly for damage and scratches (inner wall). Replace if there are.

Outer Socket and Inner Socket

Check the following items and replace the component if it does not meet the standard.

BALL JOINT SWINGING TORQUE

A
B
C
D
E
F
ST
H
I
J
K
L
M
N
O
P

STEERING GEAR AND LINKAGE

< REMOVAL AND INSTALLATION >

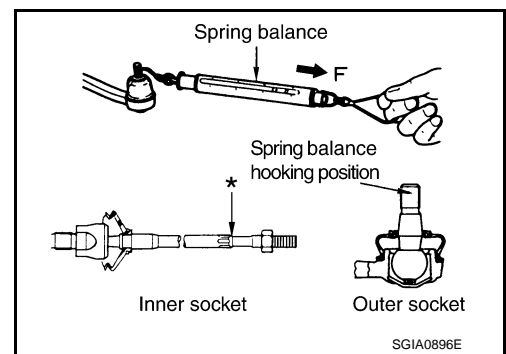
Hook a spring balance at the point shown in the figure and pull the spring balance. Make sure that the spring balance reads the specified value when ball stud and inner socket start to move. Replace outer socket and inner socket if they are outside the standard.

Standard

(Measuring point of outer socket: Stud cotter pin mounting hole)

Outer socket

: Refer to [ST-64, "Socket Swing Force and Rotating Torque"](#).



Standard

(Measuring point of inner socket: "*" mark shown in the figure)

Inner socket

: Refer to [ST-64, "Socket Swing Force and Rotating Torque"](#).

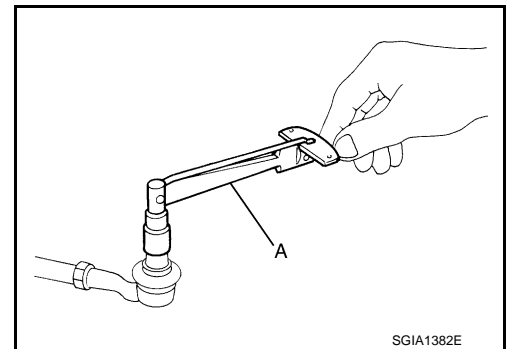
BALL JOINT ROTATING TORQUE

Make sure that the reading is within the following specified range using preload gauge (A) (SST: ST3127S000). Replace outer socket if the reading is outside the specified value.

Standard

Rotating torque

: Refer to [ST-64, "Socket Swing Force and Rotating Torque"](#).



BALL JOINT AXIAL END PLAY

Apply an axial load of 490 N (50 kg, 110 lb) to ball stud. Using a dial gauge, measure amount of stud movement, and then make sure that the value is within the following specified range. Replace outer socket (1) and inner socket (2) if the measured value is outside the standard.

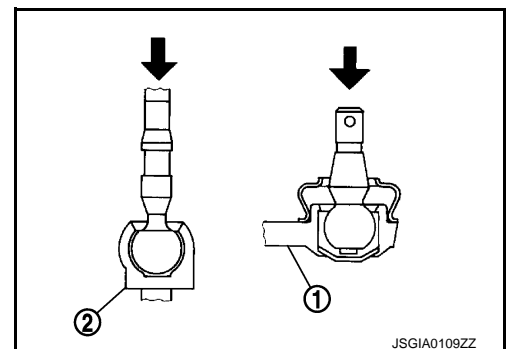
Standard

Outer socket

: Refer to [ST-64, "Socket Axial End Play"](#).

Inner socket

: Refer to [ST-64, "Socket Axial End Play"](#).



INSPECTION AFTER INSTALLATION

- Check if steering wheel turns smoothly when it is turned several times fully to the end of the left and right.
- Check the steering wheel play, neutral position steering wheel, steering wheel turning force, and front wheel turning angle. Refer to [ST-12, "Inspection"](#).
- Check the fluid level, fluid leakage, and air bleeding hydraulic system. Refer to [ST-14, "Inspection"](#).

POWER STEERING OIL PUMP

< REMOVAL AND INSTALLATION >

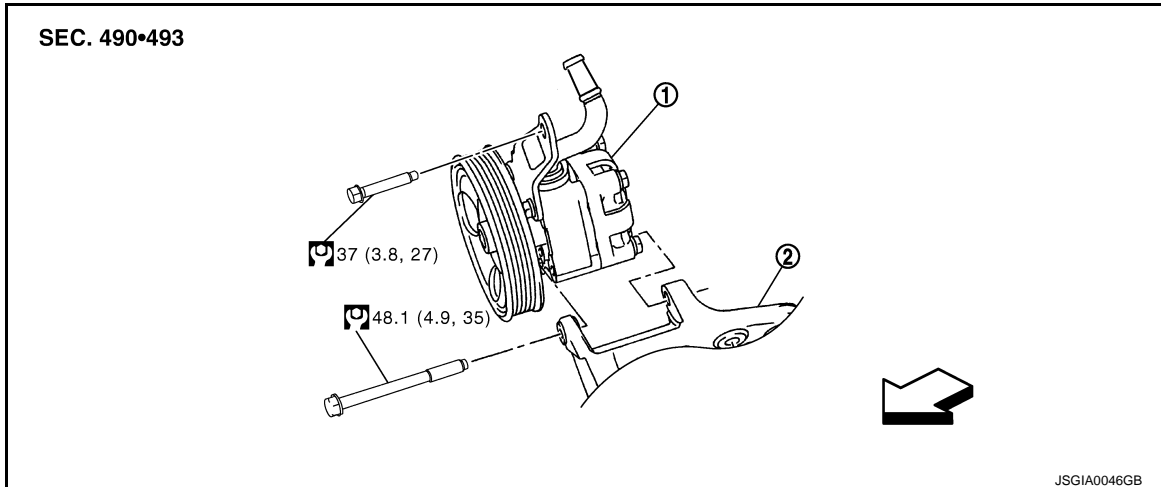
POWER STEERING OIL PUMP

FOR MODELS WITHOUT 4WAS AND MODELS EXCEPT SPORT MODELS

FOR MODELS WITHOUT 4WAS AND MODELS EXCEPT SPORT MODELS : Exploded View

INFOID:000000007469370

REMOVAL

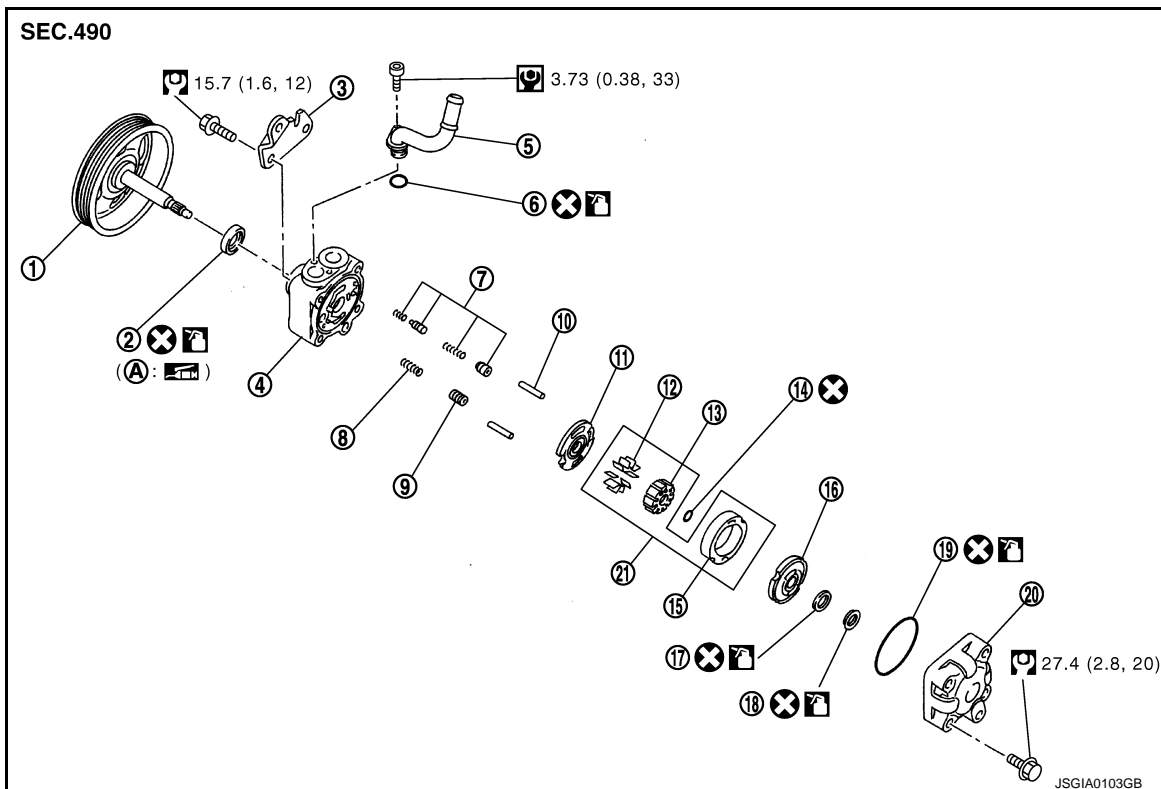


- 1. Power steering oil pump
- 2. Bracket

⇨: Vehicle front

Refer to [GI-4, "Components"](#) for symbols in the figure.

DISASSEMBLY





POWER STEERING OIL PUMP

< REMOVAL AND INSTALLATION >

- | | | |
|----------------------------------|------------------------------|-------------------------|
| 1. Pulley | 2. Oil seal | 3. Bracket |
| 4. Body assembly | 5. Suction pipe | 6. O-ring |
| 7. Flow control valve B assembly | 8. Flow control valve spring | 9. Flow control valve A |
| 10. Dowel pin | 11. Front side plate | 12. Vane |
| 13. Rotor | 14. Rotor snap ring | 15. Cam ring |
| 16. Rear side plate | 17. O-ring | 18. Teflon ring |
| 19. O-ring | 20. Rear cover | 21. Cartridge |

A: Oil seal lip

 Apply power steering fluid.

 Apply multi-purpose grease.

Refer to [GI-4, "Components"](#) for symbols not described on the above.

FOR MODELS WITHOUT 4WAS AND MODELS EXCEPT SPORT MODELS : Removal and Installation

INFOID:000000007469371

REMOVAL

1. Drain power steering fluid from reservoir tank.
2. Remove the right half of the air cleaner and the right half of the air duct. Refer to [EM-27, "Exploded View"](#).
3. Loosen drive belt. Refer to [EM-13, "Exploded View"](#).
4. Remove drive belt from oil pump pulley.
5. Remove copper washers and eye bolt (drain fluid from their pipings).
6. Remove suction hose (drain fluid from their pipings).
7. Remove oil pump mounting bolts, and then remove oil pump.

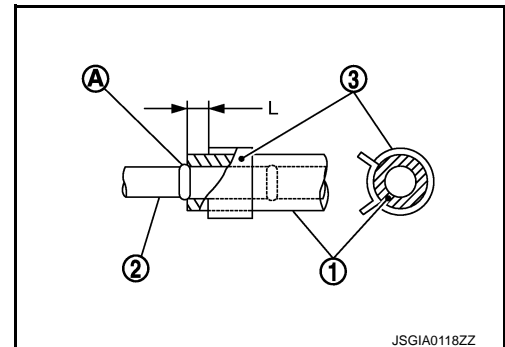
INSTALLATION

Note the following, and install in the reverse order of removal.

- When installing suction hoses (1), refer to the figure.

CAUTION:

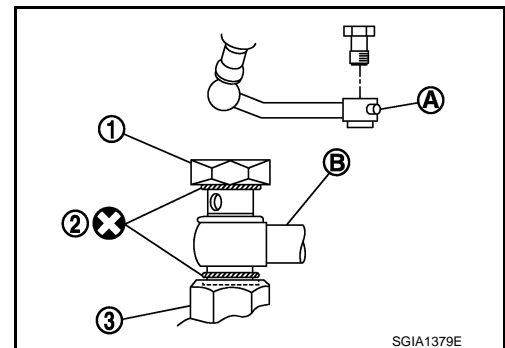
- Never apply fluid to the hose (1) and tube (2).
- Insert hose securely until it contacts spool (A) of tube.
- Install clamp (3) to the hose at 3 – 8 mm (0.12 – 0.31 in) (L) from the edge of the hose.



- When installing eye bolt (1) and copper washer (2) to oil pump (3), refer to the figure.

CAUTION:

- Never reuse copper washer.
- Apply power steering fluid to around copper washer, then install eye-bolt.
- Install eye-bolt with eye-joint (assembled to high pressure hose) (B) protrusion (A) facing with pump side cutout, and then tighten it to the specified torque after tightening by hand. Refer to [ST-60, "2WD : Exploded View"](#) (2WD), [ST-62, "AWD : Exploded View"](#) (AWD).
- Securely insert harness connector to pressure sensor.
- Adjust belt tension. Refer to [EM-13, "Tension Adjustment"](#).
- Check fluid level, fluid leakage and air bleeding hydraulic system after the installation. Refer to [ST-12, "Inspection"](#).



FOR MODELS WITHOUT 4WAS AND MODELS EXCEPT SPORT MODELS : Disas-

POWER STEERING OIL PUMP

< REMOVAL AND INSTALLATION >

Removal and Assembly

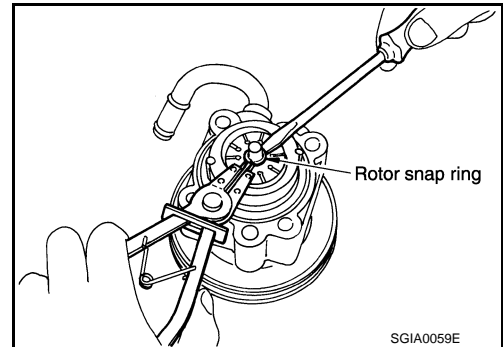
INFOID:000000007469372

DISASSEMBLY

1. Remove rear cover mounting bolts, and then remove rear cover from body assembly.
CAUTION:
 - Fix oil pump with a vise if necessary.
 - Use copper plates when fixing with a vise.
2. Remove O-ring from body assembly.
3. Remove rear side plate from cartridge, and then remove Teflon ring and O-ring from rear side plate.
4. Remove rotor snap ring using a snap ring plier, and remove pulley from body assembly.

CAUTION:

Remove pulley so as not to be damaged when removing rotor snap ring.

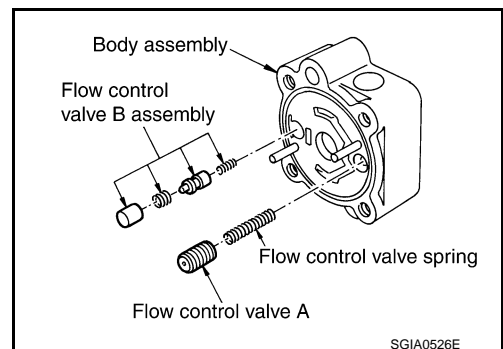


5. Remove cartridge, front side plate, flow control valve A, flow control valve spring and flow control valve B assembly from body assembly.

CAUTION:

Never drop and damage flow control valve A and flow control valve B assembly when removing.

6. Remove oil seal from body assembly.
7. Remove mounting bolt of suction pipe, and then remove suction pipe from body assembly.
8. Remove O-ring from body assembly.
9. Remove bracket mounting bolts, and then remove bracket from body assembly.



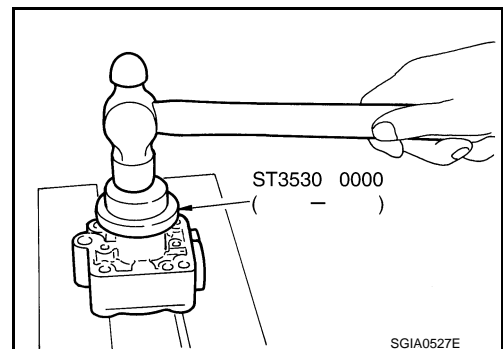
ASSEMBLY

1. Apply recommended grease to oil seal lips. Apply recommended fluid to around oil seal, and then install oil seal to body assembly using a drift [SST: ST35300000 (—)]

CAUTION:

• Fix oil pump with a vise if necessary.
• Use copper plates when fixing with a vise.

2. Install bracket to body assembly.
3. If dowel pin has been removed, insert it into body assembly by hand. If it cannot be inserted by hand, lightly tap with a hammer.

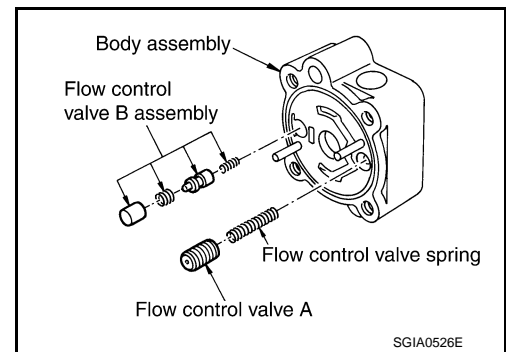


A
B
C
D
E
F
ST
H
I
J
K
L
M
N
O
P

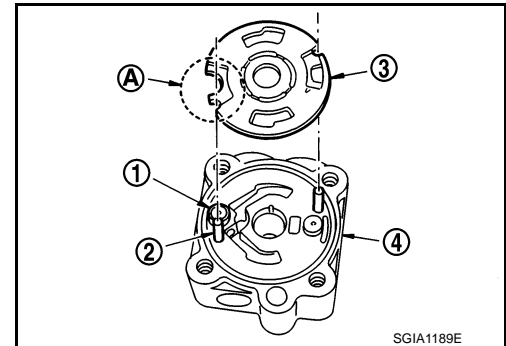
POWER STEERING OIL PUMP

< REMOVAL AND INSTALLATION >

4. Install flow control valve A, flow control valve spring and flow control valve B assembly as shown in the figure.



5. Install front side plate (3) with dowel pin (2) on flow control valve A (1) side as shown in the figure aligning with front side plate cutout (A) to body assembly (4).

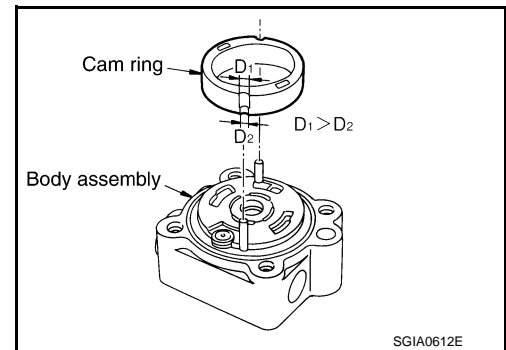


6. Install cam ring as shown in the figure.

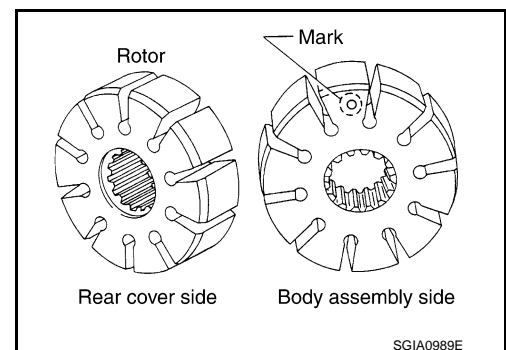
7. Install pulley to body assembly.

CAUTION:

Never damage oil seal when installing pulley.



8. Install rotor so that mark faces body assembly, and then install it to pulley shaft.

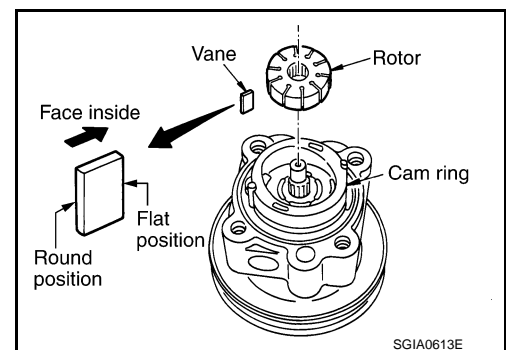


9. Install vane to rotor so that arc of vane faces cam ring side.

10. Install rotor snap ring to slit of pulley shaft using a hammer and a drift (commercial service tool).

CAUTION:

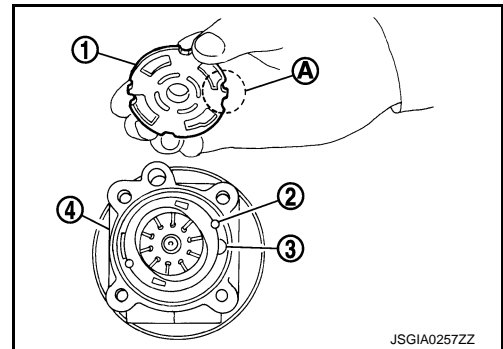
- Never damage rotor and pulley shaft.
- Oil pump assembly must be replaced if rotor is damaged.



POWER STEERING OIL PUMP

< REMOVAL AND INSTALLATION >

11. Install rear side plate (1) with dowel pin (2) on flow control valve A (3) side as shown in the figure aligning with rear side plate cut-out (A) to cartridge.
12. Apply recommended fluid to O-ring, and then install O-ring to body assembly (4).
13. Apply recommended fluid to O-ring, and then install O-ring to rear side plate.
14. Apply recommended fluid to Teflon ring, and then install Teflon ring to rear side plate.
15. Install rear cover to body assembly.
16. Apply recommended fluid to O-ring, and then install O-ring to body assembly.
17. Install suction pipe to body assembly.



FOR MODELS WITHOUT 4WAS AND MODELS EXCEPT SPORT MODELS : Inspection

INFOID:000000007469373

RELIEF OIL PRESSURE

CAUTION:

Make sure that belt tension is normal before starting the following procedure.

1. Connect the oil pressure gauge [SST: KV48103500 (J-26357)] and the oil pressure gauge adapter [SST: KV48102500 (J-33914)] between oil pump discharge connector and high-pressure hose. Bleed air from the hydraulic circuit while opening valve fully. Refer to [ST-12, "Inspection"](#).
2. Start engine. Run engine until oil temperature reaches 50 to 80°C (122 to 176°F).

CAUTION:

- Leave the valve of the oil pressure gauge fully open while starting and running engine. If engine is started with the valve closed, the hydraulic pressure in oil pump goes up to the relief pressure along with unusual increase of oil temperature.
- Be sure to keep hose clear of belts and other parts when engine is started.

3. Fully close the oil pressure gauge valve with engine at idle and measure the relief oil pressure.

Standard

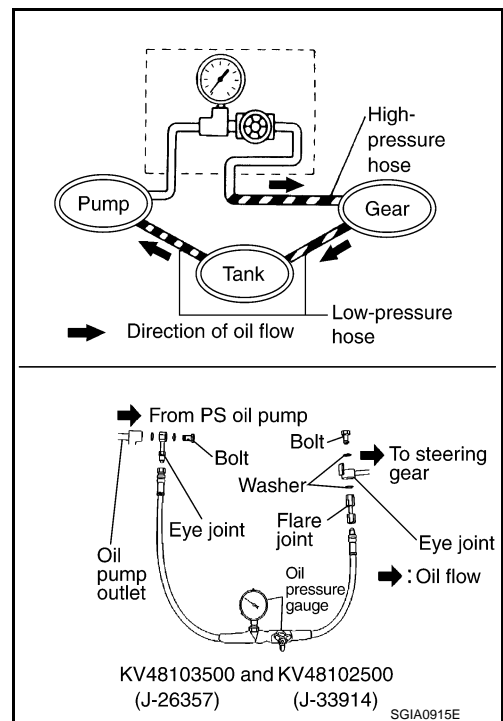
Relief oil pressure

: Refer to [ST-65, "Relief Oil Pressure"](#).

CAUTION:

Never keep valve closed for 10 seconds or longer.

4. Open the valve slowly after measuring. Repair oil pump if the relief oil pressure is outside the standard. Refer to [ST-50, "FOR MODELS WITHOUT 4WAS AND MODELS EXCEPT SPORT MODELS : Disassembly and Assembly"](#).
5. Disconnect the oil pressure gauge from hydraulic circuit.



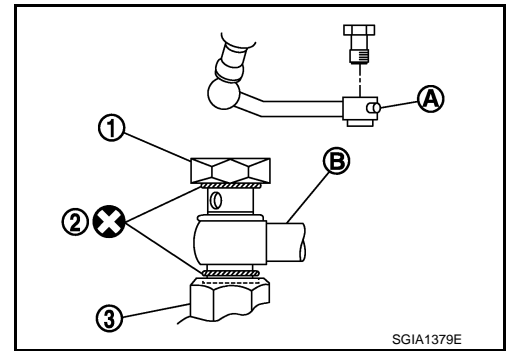
POWER STEERING OIL PUMP

< REMOVAL AND INSTALLATION >

6. When installing eye bolt (1) and copper washer (2) to oil pump (3), refer to the figure.

CAUTION:

- Never reuse copper washer.
- Apply power steering fluid or equivalent to around copper washer, then install eye-bolt.
- Install eye-bolt with eye-joint (assembled to high pressure hose) (B) protrusion (A) facing with pump side cutout, and then tighten it to the specified torque after tightening by hand. Refer to [ST-60, "2WD : Exploded View" \(2WD\)](#), [ST-62, "AWD : Exploded View" \(AWD\)](#).
- Securely insert harness connector to pressure sensor.



7. Check fluid level, fluid leakage and air bleeding hydraulic system after the installation. Refer to [ST-12, "Inspection"](#).

BEFORE DISASSEMBLY

Disassemble oil pump only when the following malfunctions occur.

- If oil leakage is found on oil pump.
- Oil pump pulley is damaged or deformed.
- Performance of oil pump is low.

AFTER DISASSEMBLY

Body Assembly and Rear Cover Inspection

- Check body assembly and rear cover for internal damage. Replace rear cover if it is damaged. Replace oil pump assembly if body assembly is damaged.

Cartridge Assembly Inspection

- Check cam ring, rotor and vane for damage. Replace cartridge assembly if there are.

Side Plate Inspection

- Check side plate for damage. Replace side plate if there are.

Flow Control Valve Inspection

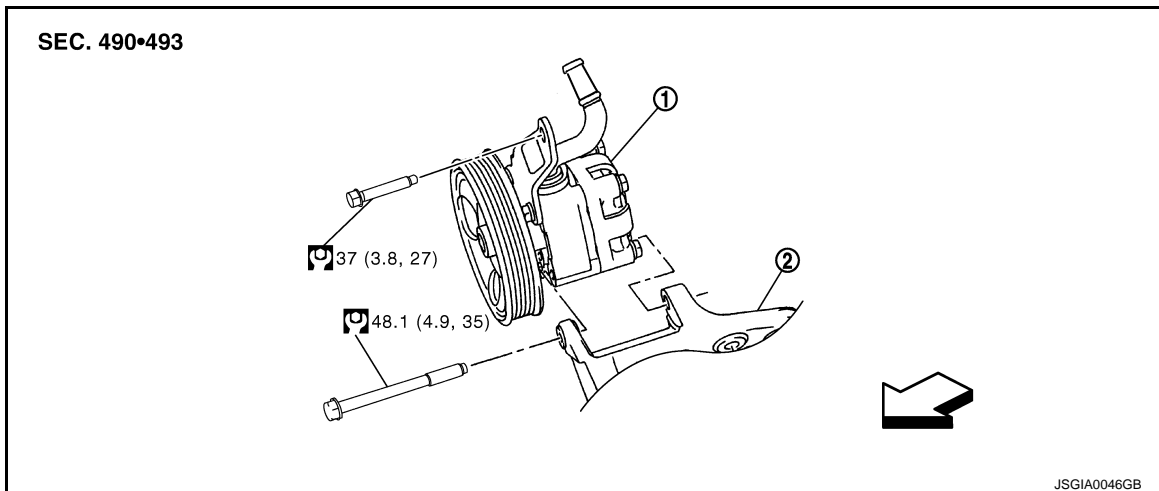
- Check flow control valve and spring for damage. Replace if there are.

FOR MODELS WITH 4WAS AND SPORT MODELS

FOR MODELS WITH 4WAS AND SPORT MODELS : Exploded View

INFOID:000000007469374

REMOVAL



1. Power steering oil pump 2. Bracket

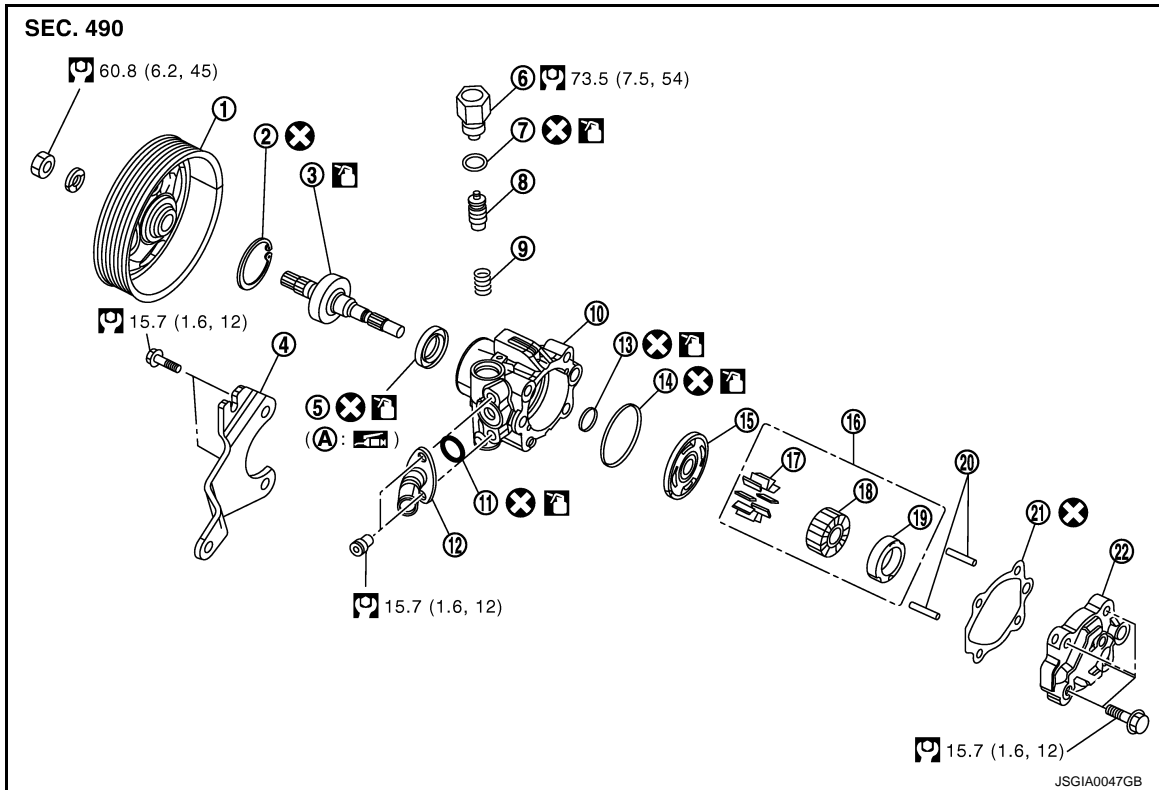
↶ Vehicle front

Refer to [GI-4, "Components"](#) for symbols in the figure.

POWER STEERING OIL PUMP


< REMOVAL AND INSTALLATION >


DISASSEMBLY



- | | | |
|-------------------|-----------------------|-------------------------|
| 1. Pulley | 2. Snap ring | 3. Drive shaft assembly |
| 4. Bracket | 5. Oil seal | 6. Connector bolt |
| 7. O-ring | 8. Flow control valve | 9. Spring |
| 10. Body assembly | 11. O-ring | 12. Suction pipe |
| 13. O-ring | 14. O-ring | 15. Side plate |
| 16. Cartridge | 17. Vane | 18. Rotor |
| 19. Cam ring | 20. Dowel pin | 21. Gasket |
| 22. Rear cover | | |

A: Oil seal lip

: Apply power steering fluid.

: Apply multi-purpose grease.

Refer to [GI-4, "Components"](#) for symbols not described on the above.

FOR MODELS WITH 4WAS AND SPORT MODELS : Removal and Installation

INFOID:000000007469375

REMOVAL

1. Drain power steering fluid from reservoir tank.
2. Remove the right half of the air cleaner and the right half of the air duct. Refer to [EM-27, "Exploded View"](#).
3. Loosen drive belt. Refer to [EM-13, "Exploded View"](#).
4. Remove drive belt from oil pump pulley.
5. Remove copper washers and eye bolt (drain fluid from their pipings).
6. Remove suction hose (drain fluid from their pipings).
7. Remove oil pump mounting bolts, and then remove oil pump.

INSTALLATION

Note the following, and install in the reverse order of removal.

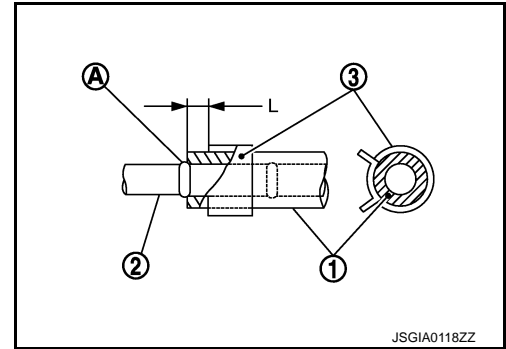
POWER STEERING OIL PUMP

< REMOVAL AND INSTALLATION >

- When installing suction hose (1), refer to the figure.

CAUTION:

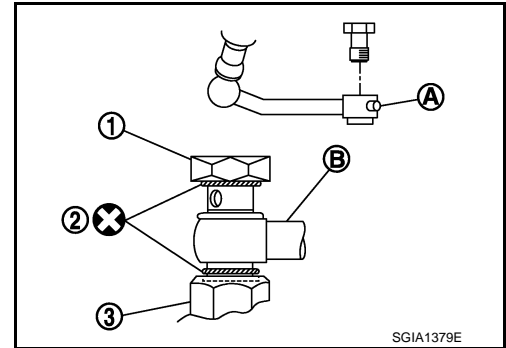
- Never apply fluid to the hose (1) and tube (2).
- Insert hose securely until it contacts spool (A) of tube.
- Install clamp (3) to the hose at 3 – 8 mm (0.12 – 0.31 in) (L) from the edge of the hose.



- When installing eye bolt (1) and copper washer (2) to oil pump (3), refer to the figure.

CAUTION:

- Never reuse copper washer.
- Apply power steering fluid to around copper washer, then install eye-bolt.
- Install eye-bolt with eye-joint (assembled to high pressure hose) (B) protrusion (A) facing with pump side cutout, and then tighten it to the specified torque after tightening by hand. Refer to [ST-60, "2WD : Exploded View"](#).
- Securely insert harness connector to pressure sensor.
- Adjust belt tension. Refer to [EM-26, "Removal and Installation"](#).
- Check fluid level, fluid leakage and air bleeding hydraulic system after the installation. Refer to [ST-12, "Inspection"](#).



FOR MODELS WITH 4WAS AND SPORT MODELS : Disassembly and Assembly

INFOID:000000007469376

DISASSEMBLY

- Remove rear cover mounting bolts and then remove rear cover from body assembly.

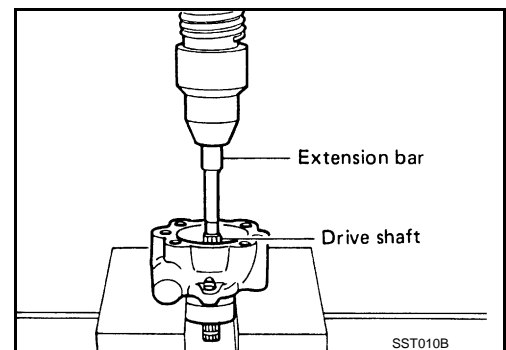
CAUTION:

- Fix oil pump with a vise if necessary.
- Use copper plates when fixing with a vise.

- Remove gasket from body assembly.
- Remove dowel pin, cartridge and side plate from body assembly.
- Remove pulley mounting nut and then remove pulley from drive shaft.
- Remove bracket mounting bolts and then remove bracket from body assembly.
- Remove snap ring from drive shaft assembly and press out it.

CAUTION:

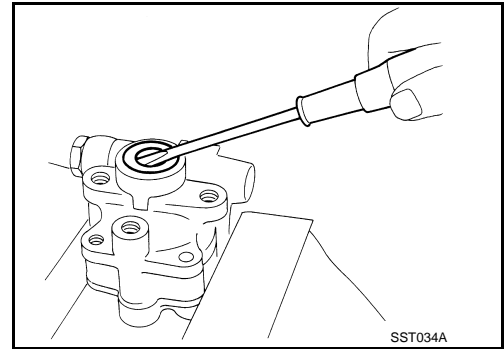
When removing the snap ring, never damage the drive shaft assembly.



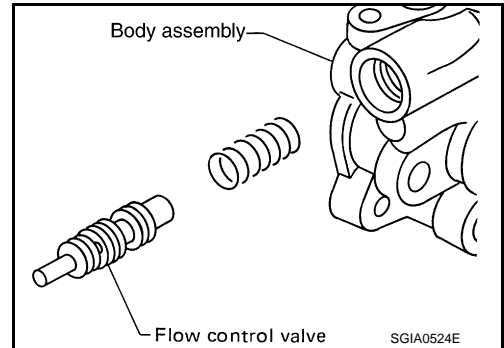
POWER STEERING OIL PUMP

< REMOVAL AND INSTALLATION >

- Remove oil seal from body assembly using a flat-bladed screwdriver.
CAUTION:
Never damage the body assembly.
- Remove O-rings from body assembly.

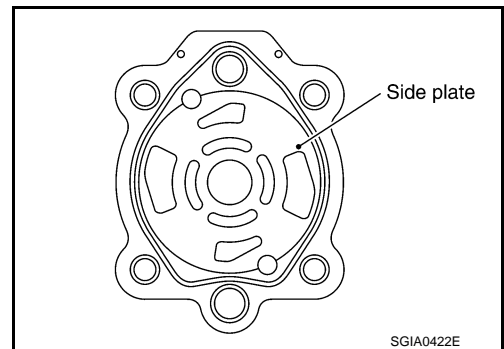
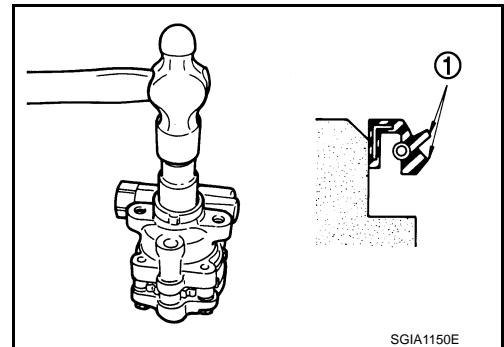


- Remove connector bolt and O-ring, then pull out flow control valve and spring from body assembly.
CAUTION:
Never drop and deform the flow control valve.
- Remove fixing bolts of suction pipe, and then remove suction pipe from body assembly.
- Remove O-ring for suction pipe.



ASSEMBLY

- Apply recommended grease to oil seal lips (1). Apply recommended fluid to around oil seal. Install oil seal to body assembly using a drift (commercial service tool).
CAUTION:
 - Never reuse the oil seal.
 - Fix oil pump with a vise if necessary.
 - Use copper plates when fixing with a vise.
- Apply recommended fluid to drive shaft, and press drive shaft into body assembly, then install snap ring.
CAUTION:
Never reuse the snap ring.
- Apply recommended fluid to O-ring, and install O-ring into body assembly.
CAUTION:
Never reuse the O-ring.
- Install side plate to body assembly.



A
B
C
D
E
F
ST
H
I
J
K
L
M
N
O
P

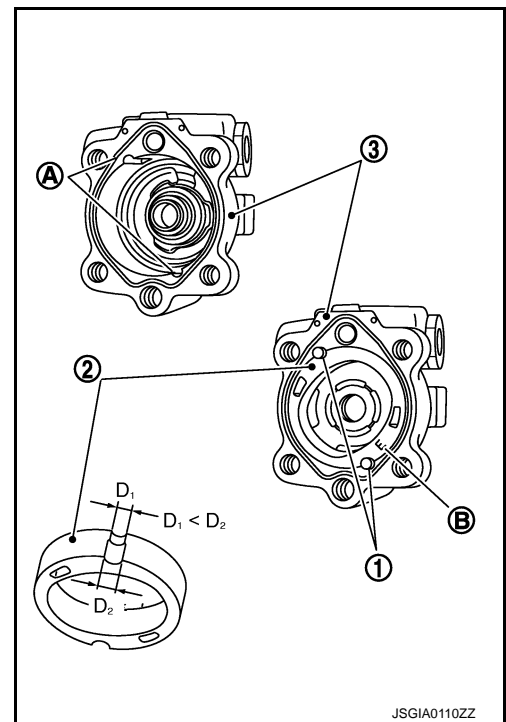
POWER STEERING OIL PUMP

< REMOVAL AND INSTALLATION >

5. Install dowel pin (1) into dowel pin hole (A), and install cam ring (2) pointing it's D1 side toward the body assembly (3) side as shown in the figure.

CAUTION:

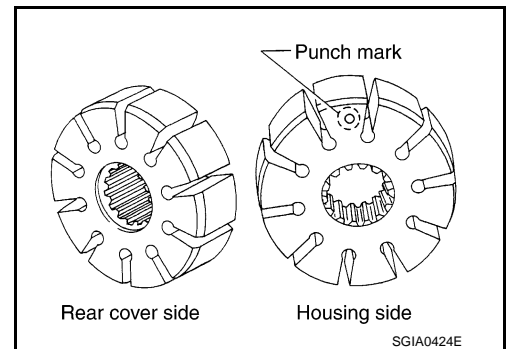
- When installing the cam-ring, turn carved face with a letter "E" (B) of it to the rear cover.
- Never confuse the assembling direction of the cam ring. If cam ring is installed facing the incorrect direction, it may cause pump operation malfunction.



6. Install rotor to body assembly.

CAUTION:

When installing the rotor, turn punch mark face on rotor to body assembly.



7. Install vane to rotor so that arc of vane faces cam ring side.
8. Check if drive shaft assembly turns smoothly.
9. Install gasket to body assembly.

CAUTION:

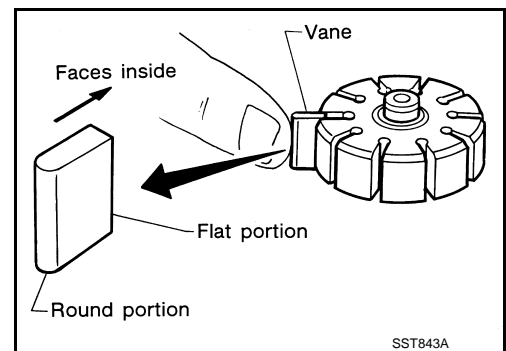
Never reuse the gasket.

10. Install rear cover to body assembly.
11. Install bracket to body assembly.
12. Install pulley and washer to drive shaft.
13. Install spring and flow control valve to body assembly.
14. Apply recommended fluid to O-ring, and then install O-ring to connector bolt.

CAUTION:

Never reuse the O-ring.

15. Install connector bolt to body assembly.
16. Install suction pipe to body assembly.



FOR MODELS WITH 4WAS AND SPORT MODELS : Inspection

INFOID:000000007469377

RELIEF OIL PRESSURE

CAUTION:

Make sure that belt tension is normal before starting the following procedure.

POWER STEERING OIL PUMP

< REMOVAL AND INSTALLATION >

1. Connect the oil pressure gauge [SST: KV48103500 (J-26357)] and the oil pressure gauge adapter [SST: KV48102500 (J-33914)] between oil pump discharge connector and high-pressure hose. Bleed air from the hydraulic circuit while opening valve fully. Refer to [ST-12, "Inspection"](#).
2. Start engine. Run engine until oil temperature reaches 50 to 80°C (122 to 176°F).

CAUTION:

 - Leave the valve of the oil pressure gauge fully open while starting and running engine. If engine is started with the valve closed, the hydraulic pressure in oil pump goes up to the relief pressure along with unusual increase of oil temperature.
 - Be sure to keep hose clear of belts and other parts when engine is started.
3. Fully close the oil pressure gauge valve with engine at idle and measure the relief oil pressure.

Standard

Relief oil pressure

: Refer to [ST-65, "Relief Oil Pressure"](#).

CAUTION:

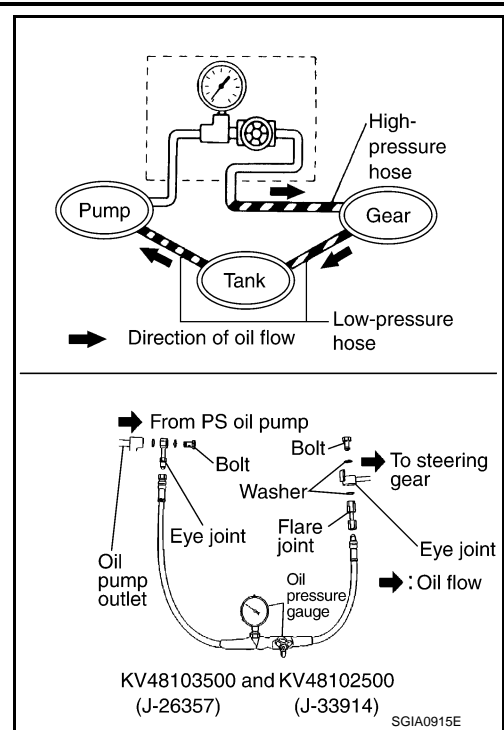
Never keep valve closed for 10 seconds or longer.

4. Open the valve slowly after measuring. Repair oil pump if the relief oil pressure is outside the standard. Refer to [ST-56, "FOR MODELS WITH 4WAS AND SPORT MODELS : Disassembly and Assembly"](#).
5. Disconnect the oil pressure gauge from hydraulic circuit.
6. When installing eye bolt (1) and copper washer (2) to oil pump (3), refer to the figure.

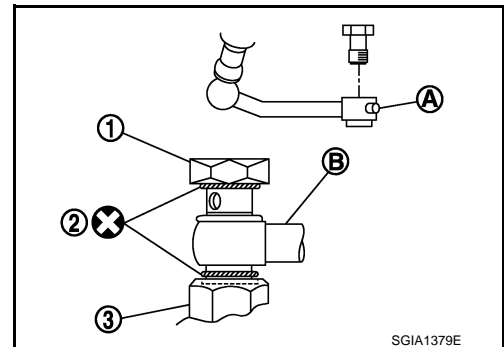
CAUTION:

- Never reuse copper washer.
- Apply power steering fluid or equivalent to around copper washer, then install eye-bolt.
- Install eye-bolt with eye-joint (assembled to high pressure hose) (B) protrusion (A) facing with pump side cutout, and then tighten it to the specified torque after tightening by hand. Refer to [ST-60, "2WD : Exploded View"](#).
- Securely insert harness connector to pressure sensor.

7. Check fluid level, fluid leakage and air bleeding hydraulic system after the installation. Refer to [ST-12, "Inspection"](#).



A
B
C
D
E
F
ST



H
I
J
K
L

BEFORE DISASSEMBLY

Disassemble oil pump only when the following malfunctions occur.

- If oil leakage is found on oil pump.
- Oil pump pulley is damaged or deformed.
- Performance of oil pump is low.

AFTER DISASSEMBLY

Body Assembly and Rear Cover Inspection

- Check body assembly and rear cover for internal damage. Replace rear cover if it is damaged. Replace oil pump assembly if body assembly is damaged.

Cartridge Assembly Inspection

- Check cam ring, rotor and vane for damage. Replace cartridge assembly if there are.

Side Plate Inspection

- Check side plate for damage. Replace side plate if there are.

Flow Control Valve Inspection

- Check flow control valve and spring for damage. Replace if there are.

M
N
O
P

HYDRAULIC LINE

< REMOVAL AND INSTALLATION >

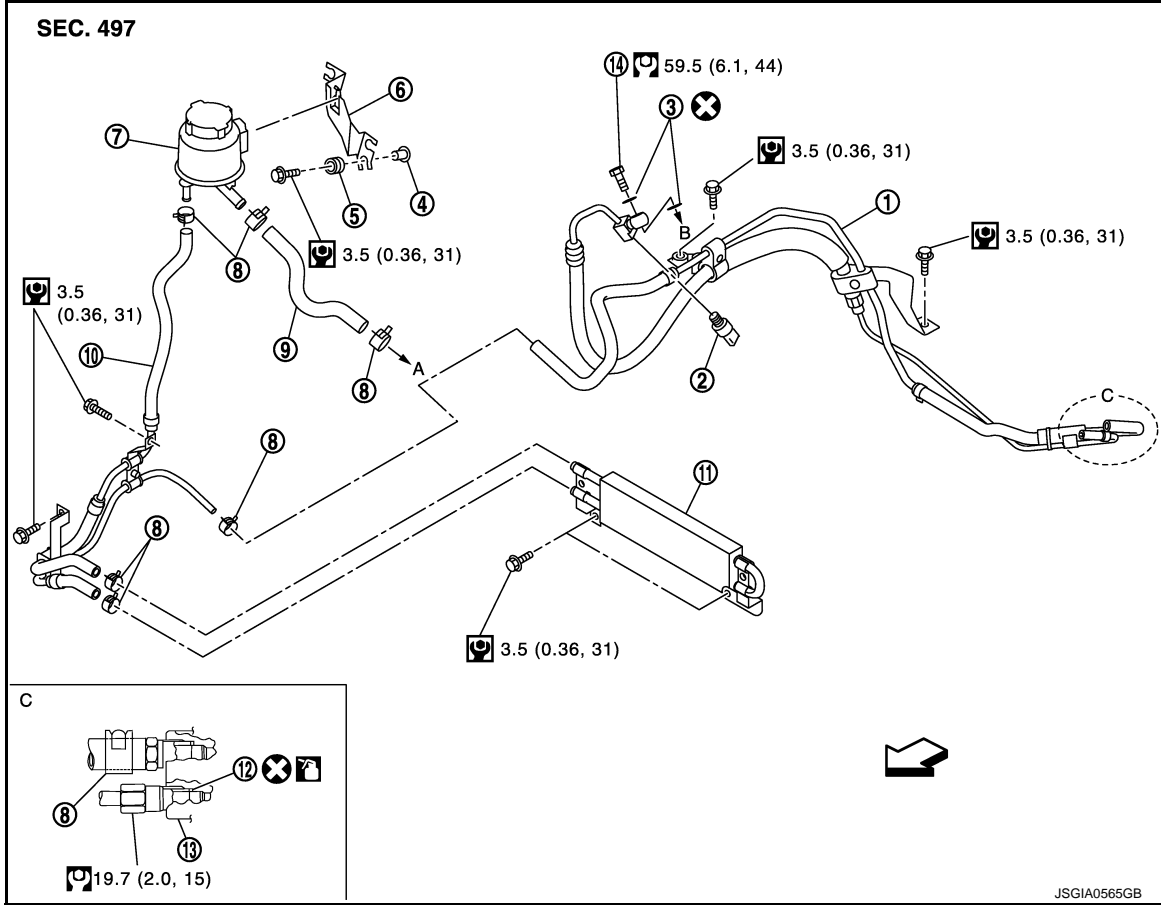
HYDRAULIC LINE

2WD

2WD : Exploded View

INFOID:000000007469378

Without 4WAS and models except sport models



- | | | |
|---|--------------------|---------------------------|
| 1. High pressure piping and low pressure piping | 2. Pressure sensor | 3. Copper washer |
| 4. Collar | 5. Bushing | 6. Reservoir tank bracket |
| 7. Reservoir tank | 8. Clamp | 9. Suction hose |
| 10. Return hose | 11. Oil cooler | 12. O-ring |
| 13. Gear-sub assembly | 14. Eye bolt | |
- A. To power steering oil pump suction hose.
B. To power steering oil pump.

←: Vehicle front

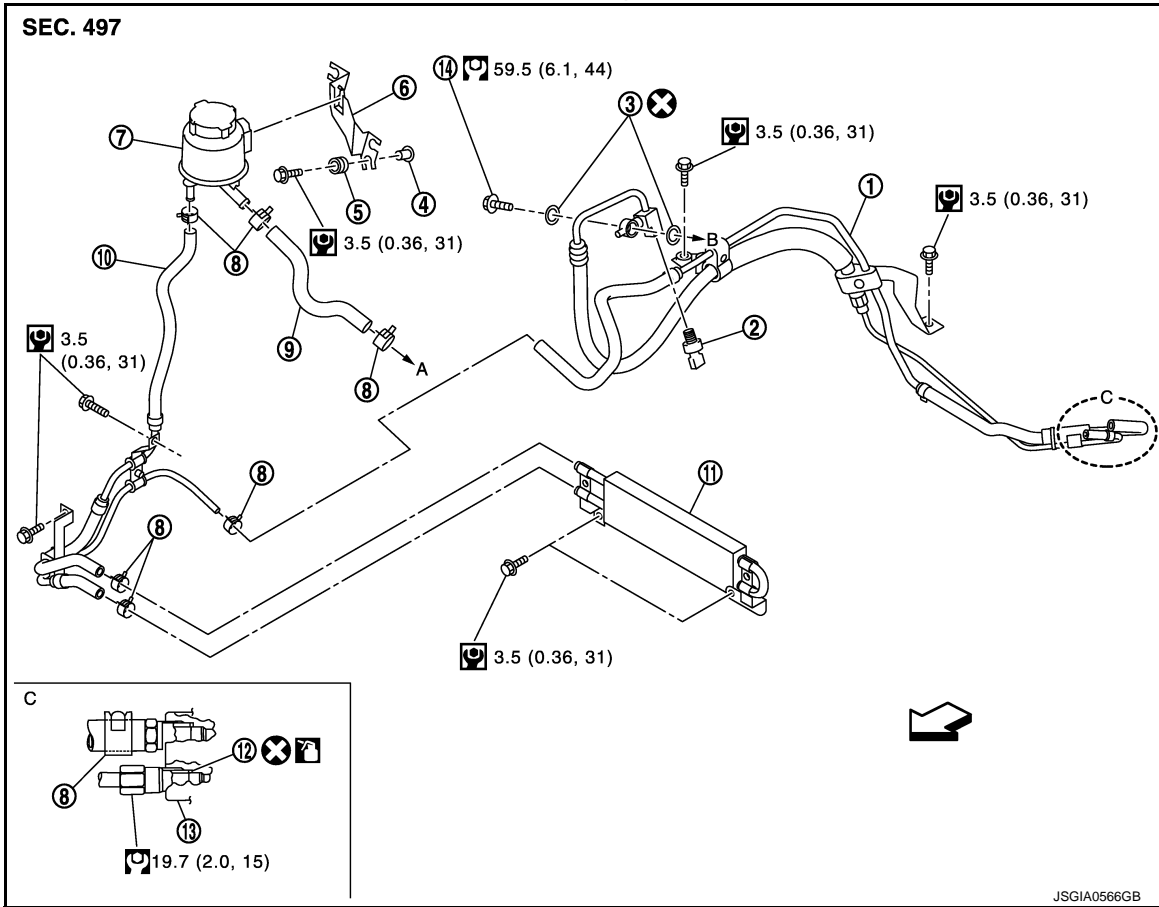
: Apply power steering fluid.

Refer to [GI-4, "Components"](#) for symbols not described on the above.

HYDRAULIC LINE

< REMOVAL AND INSTALLATION >

With 4WAS and sport models



- | | | |
|---|--------------------|---------------------------|
| 1. High pressure piping and low pressure piping | 2. Pressure sensor | 3. Copper washer |
| 4. Collar | 5. Bushing | 6. Reservoir tank bracket |
| 7. Reservoir tank | 8. Clamp | 9. Suction hose |
| 10. Return hose | 11. Oil cooler | 12. O-ring |
| 13. Gear-sub assembly | 14. Eye bolt | |
- A. To power steering oil pump suction hose.
B. To power steering oil pump.

↔: Vehicle front

: Apply power steering fluid.

Refer to [GI-4, "Components"](#) for symbols not described on the above.

AWD

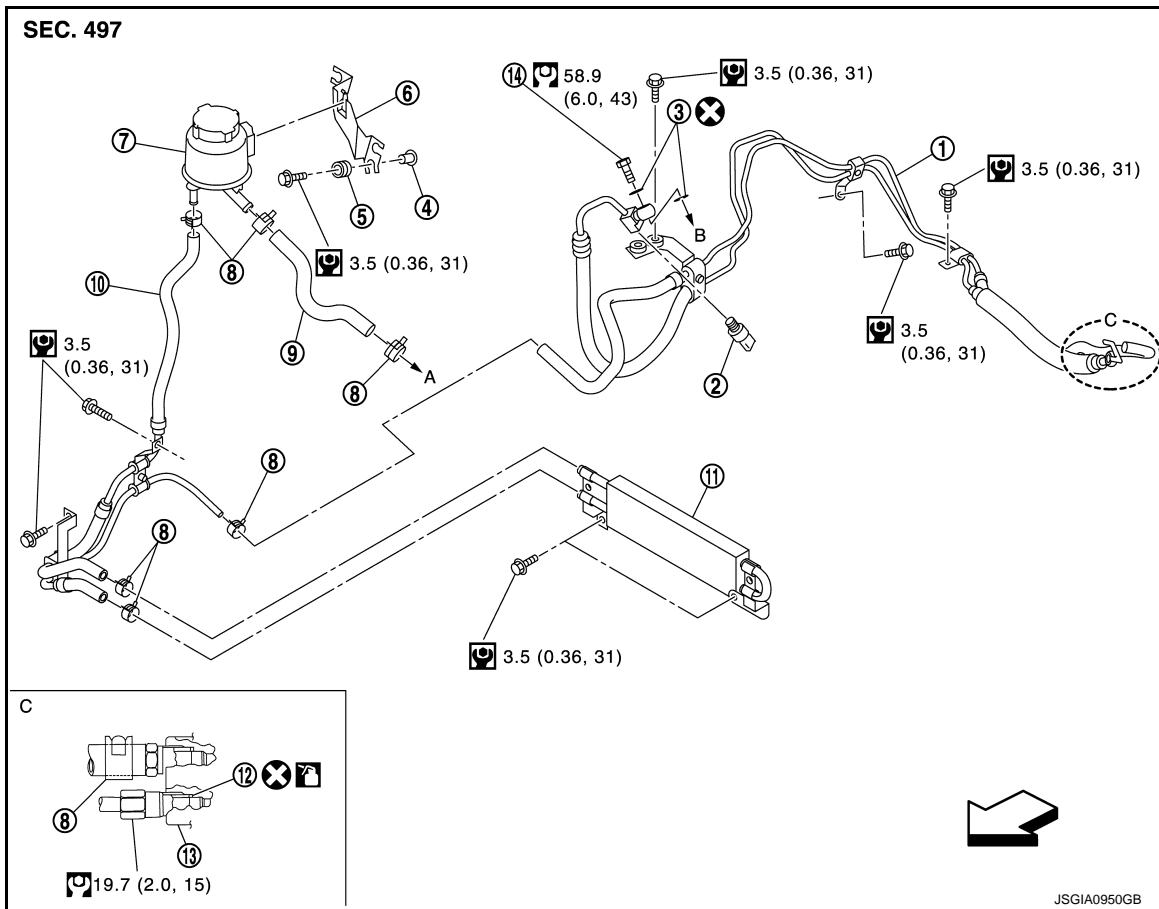
A
B
C
D
E
F
ST
H
I
J
K
L
M
N
O
P

HYDRAULIC LINE

< REMOVAL AND INSTALLATION >

AWD : Exploded View

INFOID:000000007469379



- | | | |
|---|--------------------|---------------------------|
| 1. High pressure piping and low pressure piping | 2. Pressure sensor | 3. Copper washer |
| 4. Collar | 5. Bushing | 6. Reservoir tank bracket |
| 7. Reservoir tank | 8. Clamp | 9. Suction hose |
| 10. Return hose | 11. Oil cooler | 12. O-ring |
| 13. Gear-sub assembly | 14. Eye bolt | |
- A. To power steering oil pump suction hose. B. To power steering oil pump.

← Vehicle front

Refer to [GI-4, "Components"](#) for symbols not described on the above.

SERVICE DATA AND SPECIFICATIONS (SDS)

< SERVICE DATA AND SPECIFICATIONS (SDS)

SERVICE DATA AND SPECIFICATIONS (SDS)

SERVICE DATA AND SPECIFICATIONS (SDS)

General Specifications

INFOID:0000000007469380

Steering gear model	PR26AF
Fluid capacity (Approx.) ℓ (US qt, Imp qt)	1.0 (1-1/8, 7/8)

Steering Wheel Axial End Play and Play

INFOID:0000000007469381

Unit: mm (in)

Item	Standard
Steering wheel axial end play	0 (0)
Steering wheel play on the outer circumference	0 – 35 (0 – 1.38)

Steering Wheel Turning Force

INFOID:0000000007469382

Unit: N·m (kg·m, in·lb)

Item	Standard
Steering wheel turning force	7.45 (0.76, 66)

Steering Angle

INFOID:0000000007469383

Unit: Degree minute (Decimal degree)

Item		Standard	
		2WD	AWD
Inner wheel	Minimum	36°45' (36.8°)	37°35' (37.6°)
	Nominal	39°45' (39.8°)	40°35' (40.6°)
	Maximum	40°45' (40.8°)	41°35' (41.6°)
Outer wheel	Nominal	33°30' (33.5°)	31°30' (31.5°)

Steering Column Length

INFOID:0000000007469384

Unit: mm (in)

Item	Standard
Column length	513.7 – 517.7 (20.22 – 20.38)

Steering Column Mounting Dimensions

INFOID:0000000007469385

Unit: mm (in)

Item	Standard
Mounting dimension	30 – 32 (1.18 – 1.26)

Steering Column Operating Range

INFOID:0000000007469386

Item	Standard
Tilt operating range	65 mm (2.56 in)
Telescopic operating range	47 mm (1.85 in)
Rotating torque	0.49 N·m (0.05 kg·m, 4 in·lb)

SERVICE DATA AND SPECIFICATIONS (SDS)

< SERVICE DATA AND SPECIFICATIONS (SDS)

Lower Shaft Sliding Range

INFOID:000000007469387

Unit: mm (in)

Item		Standard
Sliding range	Without 4WAS	56 (2.2)
	With 4WAS	45 (1.77)

Rack Sliding Force

INFOID:000000007469388

Unit: N (kg, lb)

Item		Standard
Rack sliding force	2WD <ul style="list-style-type: none">Without 4WASExcept sport models	195 – 258 (19.9 – 26.3, 43.9 – 57.9)
		195 – 295 (19.9 – 30.0, 43.9 – 66.3)
	AWD	227 – 305 (23.2 – 31.1, 51.1 – 68.5)

Rack Stroke

INFOID:000000007469389

Unit: mm (in)

Item		Standard
Rack stroke neutral position	2WD	69.0 (2.717)
	AWD	65.6 (2.583)

Socket Swing Force and Rotating Torque

INFOID:000000007469390

SWING FORCE

Unit: N (kg, lb)

Item	Spring balance
Outer socket	1.5 – 42.7 (0.2 – 4.3, 0.34 – 9.5)
Inner socket	1.4 – 105.4 (0.15 – 10.8, 0.31 – 23.7)

ROTATING TORQUE

Unit: N·m (kg·m, in·lb)

Item	Standard
Outer socket	0.1 – 2.9 (0.01 – 0.29, 1 – 25)

Socket Axial End Play

INFOID:000000007469391

Unit: mm (in)

Item	Standard
Outer socket	0.5 (0.02) or less
Inner socket	0.2 (0.008) or less

Inner Socket Length

INFOID:000000007469392

Unit: mm (in)

Item		Standard
Inner socket length	2WD	63.3 (2.49)
	AWD	54.2 (2.13)

SERVICE DATA AND SPECIFICATIONS (SDS)

< SERVICE DATA AND SPECIFICATIONS (SDS)

Pinion Rotating Torque

INFOID:000000007469393

Unit: N·m (kg·m, in·lb)

Item		Standard	
Around neutral position (with-in±100°) average	2WD	<ul style="list-style-type: none"> Without 4WAS Except sport models 	1.38 – 1.83 (0.14 – 0.18, 13 – 16)
		<ul style="list-style-type: none"> With 4WAS Sport models 	1.56 – 2.36 (0.16 – 0.24, 14 – 20)
	AWD		1.61 – 2.16 (0.17 – 0.22, 15 – 19)
Maximum variation		0.98 (0.10, 9)	

Relief Oil Pressure

INFOID:000000007469394

Unit: kPa (kg/cm², psi)

Item		Standard
Relief oil pressure	<ul style="list-style-type: none"> Without 4WAS Except sport models 	8,530 – 9,330 (87 – 95.2, 1,237 – 1,353)
	<ul style="list-style-type: none"> With 4WAS Sport models 	8,500 – 9,300 (86.7 – 94.8, 1,233 – 1,348)

A
B
C
D
E
F
ST
H
I
J
K
L
M
N
O
P